

Brass Compression Nuts

Compression Fitting Specification

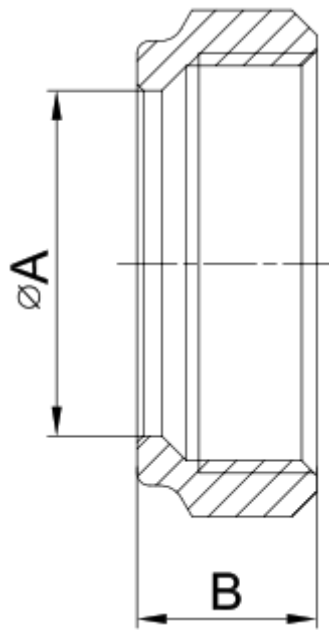


- Suitable for hot and cold drinking water, heating and chilled water systems.
- Designed for confined spaces and/or where the use of heat must be avoided.
- Connects a wide range of tubes in accordance with EN 1057.
- Available in duplex brass and/or dezincification resistant (DZR) brass or as dezincification immune red brass.
- Also available in chrome plated in accordance with EN 248.
- Compatible with low carbon steel, stainless steel, polyethylene (PE-X) and polybutylene (PB).
- Fast and easy to use flame-free installation.

Applications & Technical Information

Drinking water	Y
Sanitary water	Y
Heating and chilled water systems	Y
Compressed air	Y
LPG and natural gas	Y
Available sizes: water	8 - 54 mm
Available sizes: gas	8 - 28 mm (recommendation)
Available sizes: compressed air	8 - 28 mm
Warranty	Backed by full manufacturers product warranty
Operating parameters: water	8 - 15 mm: 25 bar at 95°C
	28 mm: 16 bar at 95°C
	35 - 54 mm: 13 bar at 95°C
Operating parameters: gas	1 bar at 30°C
Operating parameters: compressed air	7 bar at 30°C
Material	Brass, DZR

Dimensions



28	14	BRASS
22	12.5	BRASS
15	11	BRASS
A	B	Colour