

Brass Compression Fit - End Caps

Compression Fitting Specification

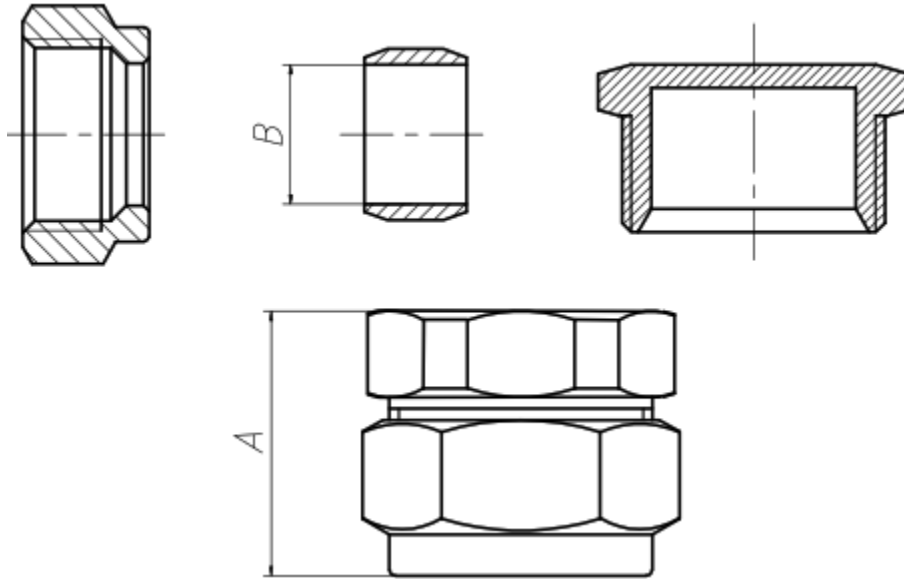


- Suitable for hot and cold drinking water, heating and chilled water systems.
- Designed for confined spaces and/or where the use of heat must be avoided.
- Connects a wide range of tubes in accordance with EN 1057.
- Available in duplex brass and/or dezincification resistant (DZR) brass or as dezincification immune red brass.
- Also available in chrome plated in accordance with EN 248.
- Compatible with low carbon steel, stainless steel, polyethylene (PE-X) and polybutylene (PB).
- Fast and easy to use flame-free installation.

Applications & Technical Information

Drinking water	Y
Sanitary water	Y
Heating and chilled water systems	Y
Compressed air	Y
LPG and natural gas	Y
Available sizes: water	8 - 54 mm
Available sizes: gas	8 - 28 mm (recommendation)
Available sizes: compressed air	8 - 28 mm
Warranty	Backed by full manufacturers product warranty
Operating parameters: water	8 - 15 mm: 25 bar at 95°C
	28 mm: 16 bar at 95°C
	35 - 54 mm: 13 bar at 95°C
Operating parameters: gas	1 bar at 30°C
Operating parameters: compressed air	7 bar at 30°C
Material	Brass, DZR

Dimensions



<i>MF 8mm Comp Stopend</i>	<i>19</i>	<i>8</i>	<i>Brass</i>
<i>MF 10mm Comp Stopend</i>	<i>22.5</i>	<i>10</i>	<i>Brass</i>
<i>MF 15mm Comp Stopend</i>	<i>20</i>	<i>15</i>	<i>Brass</i>
<i>MF 22mm Comp Stopend</i>	<i>22.5</i>	<i>22</i>	<i>Brass</i>
<i>MF 28mm Comp Stopend</i>	<i>24</i>	<i>28</i>	<i>Brass</i>
<i>MF 35mm Comp Stopend</i>	<i>32</i>	<i>35</i>	<i>Brass</i>
<i>MF 42mm Comp Stopend</i>	<i>34.5</i>	<i>42</i>	<i>Brass</i>
<i>MF 54mm Comp Stopend</i>	<i>39</i>	<i>54</i>	<i>Brass</i>
<i>Description</i>	<i>A</i>	<i>B</i>	<i>Colour</i>