



P21S (Version C)

Stainless Steel 'PowerDyne' Thermodynamic Disc Type Steam Trap

Features

Stainless steel trap with built-in screen for reliable performance in tracing and instrumentation.

1. Single enlarged outlet port to extend reliability in copper tube tracing applications.
2. Hardened stainless steel working surfaces for long service life.
3. Air-jacketing reduces no-load cycling and extends service life.
4. Lapped disc provides steam-tight seal for long service life.
5. Built-in screen for extended trouble-free service.



Specifications

Model	P21S ver.C	
Connection	Screwed	
Size	1/4", 3/8", 1/2"	
Maximum Operating Pressure (barg) PMO	21	
Minimum Operating Pressure (barg)	Horizontally installed: 0.25	Vertically installed: 0.4
Maximum Operating Temperature (°C) TMO	400	
Maximum Back Pressure	80% of Inlet Pressure	

PRESSURE SHELL DESIGN CONDITIONS (**NOT** OPERATING CONDITIONS): Maximum Allowable Pressure (barg) PMA: 46
Maximum Allowable Temperature (°C) TMA: 400
1 bar = 0.1 MPa

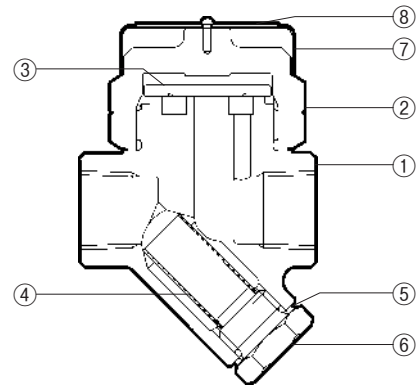


To avoid abnormal operation, accidents or serious injury, DO NOT use this product outside of the specification range. Local regulations may restrict the use of this product to below the conditions quoted.

No.	Description	Material	DIN*	ASTM/AISI*
①	Body	Cast Stainless Steel A743 Gr.CA40	—	—
② ^R	Cover	Stainless Steel SUS420F2	—	AISI420F2
③ ^R	Disc	Hardened Stain. Steel SUS420J2	1.4301	AISI420
④ ^R	Screen	Stainless Steel SUS430	1.4016	AISI430
⑤ ^{MR}	Screen Holder Gasket	Stainless Steel SUS316L	1.4404	AISI316L
⑥	Screen Holder	Stainless Steel SUS303	1.4305	AISI303
⑦ ^R	Cap	Stainless Steel SUS304	1.4301	AISI304
⑧ ^R	Nameplate	Stainless Steel SUS304	1.4301	AISI304

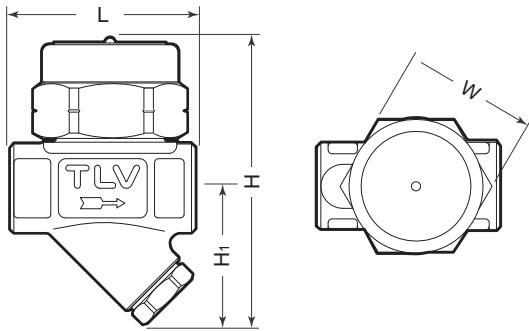
* Equivalent materials

Replacement kits available: (M) maintenance parts, (R) repair parts



Dimensions

● P21S ver.C Screwed



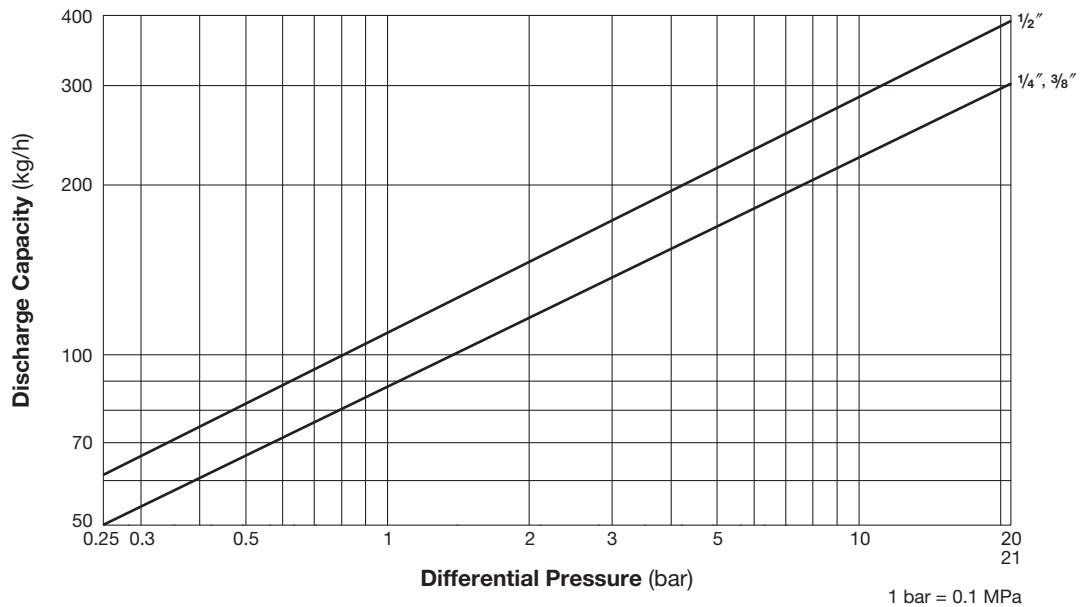
P21S ver.C Screwed *

(mm)

Size	L	H	H ₁	W	Weight (kg)
1/4"	50	77	37	36	0.35
3/8"					0.46
1/2"	68	82	39		

* BSP; other standards available

Discharge Capacity



1. Differential pressure is the difference between the inlet and outlet pressure of the trap.
2. Recommended safety factor: at least 2.