

Art5975 Gearbox Operator (For Butterfly Valves)

Characteristics

The gear operator provides the valve a smooth and slow operation, reduces the effort required to open or close especially on large valves.

It prevents water hammer by opening or closing fast on the valve.

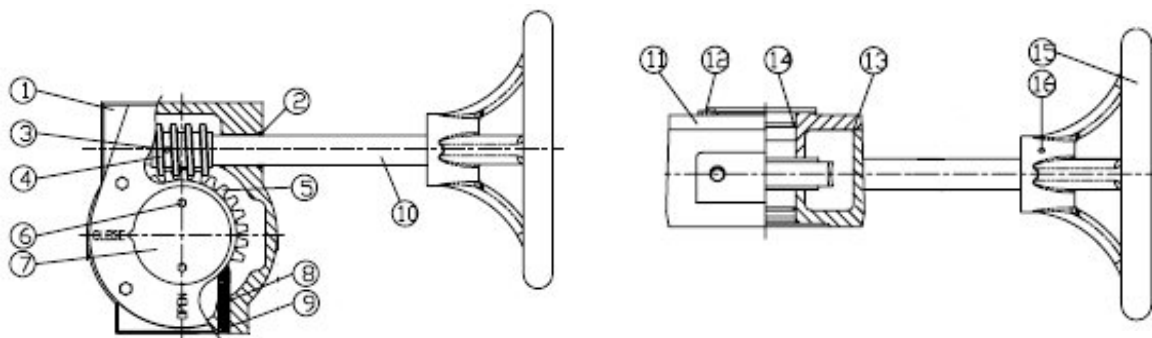
It has visual position indicator.

Connection according to ISO 5211 standard.

Travel adjustment screws for opening and closing (90°).

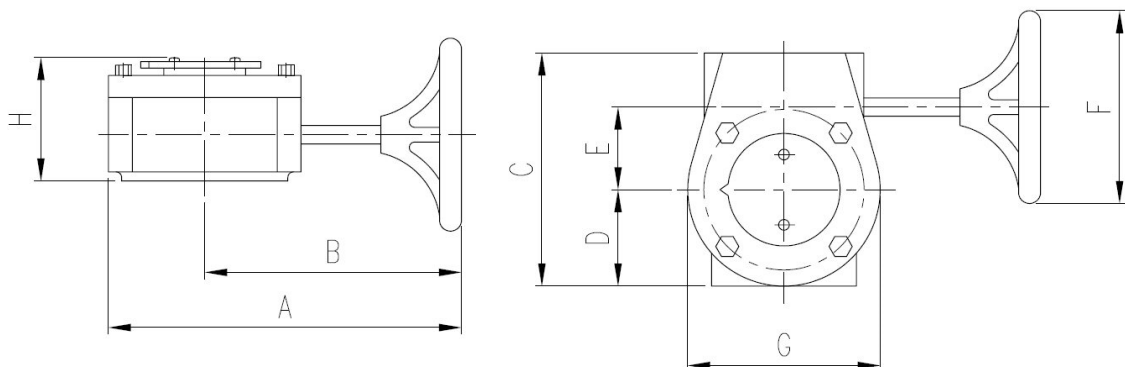


Components



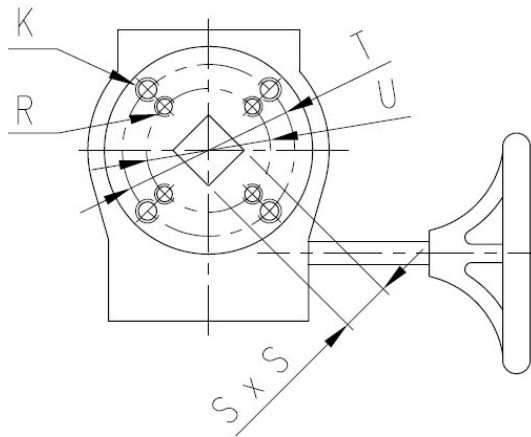
N°	Name	Material	Surface Treatment
1	Housing	Cast Iron	Painted
2	Sealing Ring	NBR	
3	Pin	Steel	
4	Worm	Steel	
5	Worm Gear	Ductile Iron	
6	Screw	Steel	Zinc Plated
7	Indicator	Steel	Zinc Plated
8	Regulating Screw	Steel	Browning
9	Screw	Steel	Browning
10	Stem	Steel	Zinc Plated
11	Housing Cover	Cast Iron	Painted
12	Screw	Steel	Zinc Plated
13	Gasket	Paper & Graphite	
14	O-Ring	NBR	
15	Handwheel	Cast Iron	Painted
16	Pin	Steel	

General Dimensions



GENEBRE

Ref	Transfer Ratio	Torque (Nm)	Dimensions (mm)								Weight (Kg)
			A	B	C	D	E	F	G	H	
5975	24 : 1	300	210	121	127	54	45	200	105	70	4,90
5976	30 : 1	750	310	240	180	79	64	290	153	83	9,70
5977	50 : 1	1200	341	257	200	85	85	290	210	83	12,00
5977A	50 : 1	1200	341	257	200	85	85	290	210	83	12,00
5977B	50 : 1	1200	341	257	200	85	85	290	210	83	12,00
5978	80 : 1	2000	445	306	290	140	120	400	265	120	29,00
5978A	80 : 1	2000	445	306	290	140	120	400	265	120	29,00



Ref	Transfer Ratio	Torque (Nm)	Dimensions (mm)				
			S x S	T	U	K	R
5975	24 : 1	300	17 X 17	F 07	F 05	M 8	M 6
5976	30 : 1	750	22 X 22	F 10	F 07	M 10	M 8
5977	50 : 1	1200	22 X 22	F 10	-	M 10	-
5977A	50 : 1	1200	22 X 22	F 12	-	M 12	-
5977B	50 : 1	1200	27 X 27	F 14	-	M 16	-
5978	80 : 1	2000	27 X 27	F 14	-	M 16	-
5978A	80 : 1	2000	36 X 36	F 14	-	M 16	-