



Art5952 04

Electro-Pneumatic Positioner with Position Transmitter for Linear Pneumatic Actuators

Features

1. *The Electro - Pneumatic positioner is used for the control of valves with pneumatic linear actuator by means of a control signal of 4 - 20 mA.*
2. *Can be used in double action or spring return pneumatic actuator.*
3. *Easy to adjust zero and span.*
4. *Fast and accurate response.*
5. *Low air consumption.*
6. *Easy to install air tubing connection.*
7. *Include Bracket and shaft for mounting.*

Available spare Pilot valve P5951

Features

Electronic Position Transmitter (specially for valve positioner) senses mechanical position change of stem being on the valve or similar device and converses to current signal of 4 – 20 mA DC output for computers or Industry Processing Control System.

GENEBRE

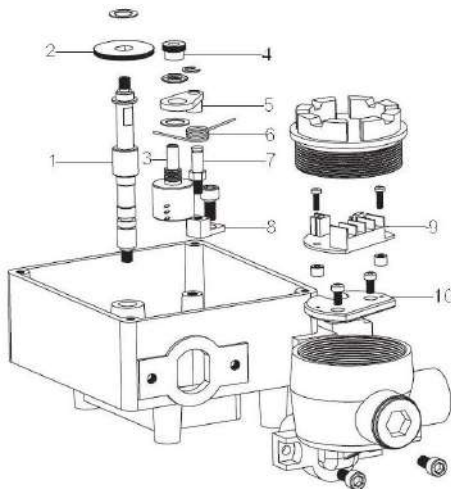


Description	Values
Input Signal	4 - 20 mA
Impedance	250 \pm 15 Ω
Supply Pressure	1.4 - 7 bar (20 - 100psi)
Stroke	Linear 10 - 150mm
Air Connection	G 1/4"
Gauge Connection	G 1/8"
Protection	IP66
Ambient Temperature	-20°C - 70°C
Linearity	\pm 1.5 % F.S. (End of Scale)
Hysteresis	\pm 1.5 % F.S. (End of Scale)
Sensitivity	\pm 0.4 % F.S. (End of Scale)
Air Consumption	3 LPM (Sup = 1.4 bar, 20psi)
Flow Capacity	80 LPM (Sup =1.4 bar, 20psi)
Material	Aluminium Alloy
Weight	2.8 Kg

GENEBRE

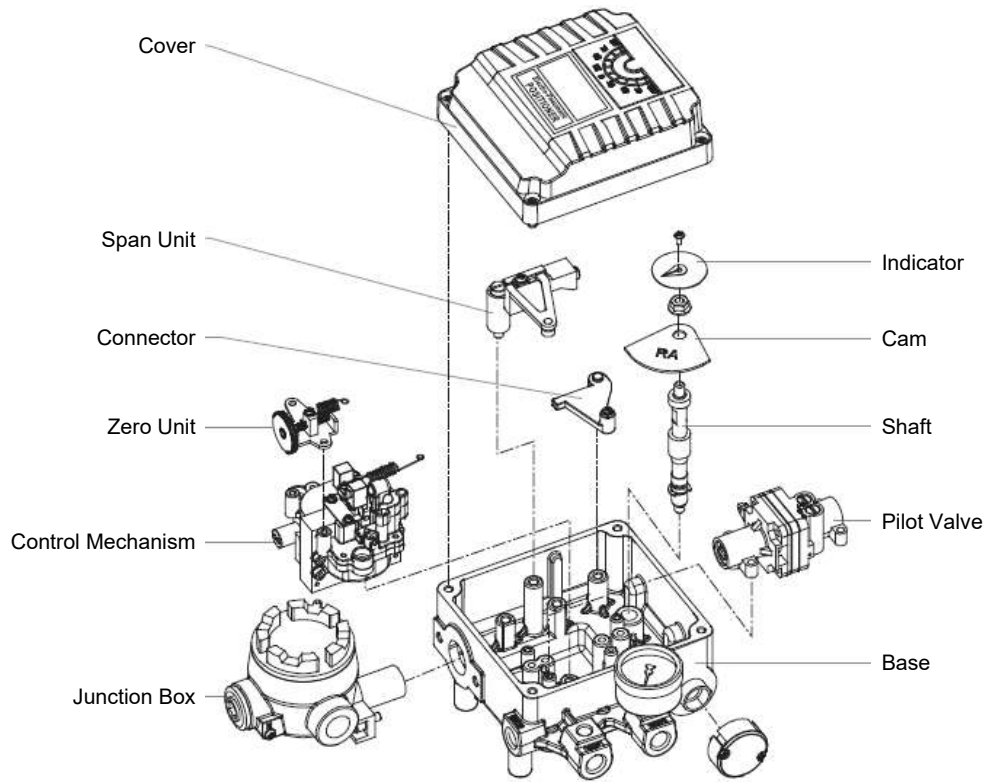


Technical Data	
Connection Type	2 Wire
Input Signal	4 – 20 mA DC
Output Signal	4 – 20 mA DC
Load Resistance	0 – 600 Ohms
Supply Voltage	15 – 30V DC
Noise Range	50mVp.p
Ambient Temp	-20°C - 60°C
Linearity	± 1% F.S
Hysteresis	0.002 F.S
Sensitivity	± 0.2% F.S
Adjustable Range	Zero: ± 10% Span: 60 - 110%

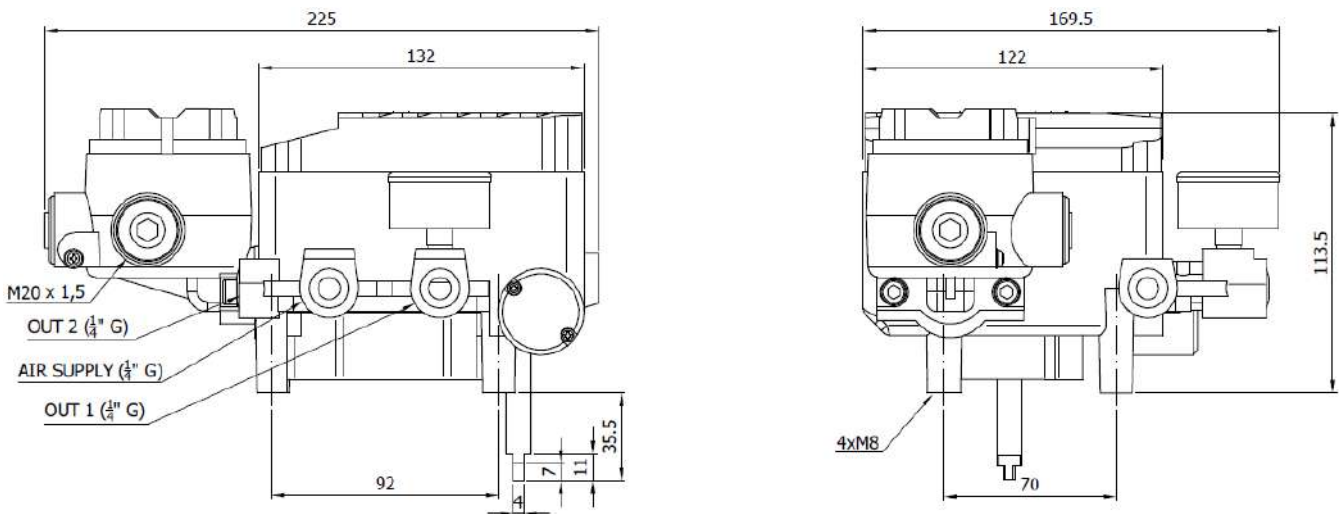


N	Name of Part
1	Shaft
2	Big Gear
3	Potentiometer
4	Small Gear
5	Connector
6	Spring
7	Hexagonal Shaft
8	Connector
9	Position Transmitter PCB
10	Aluminum Plate

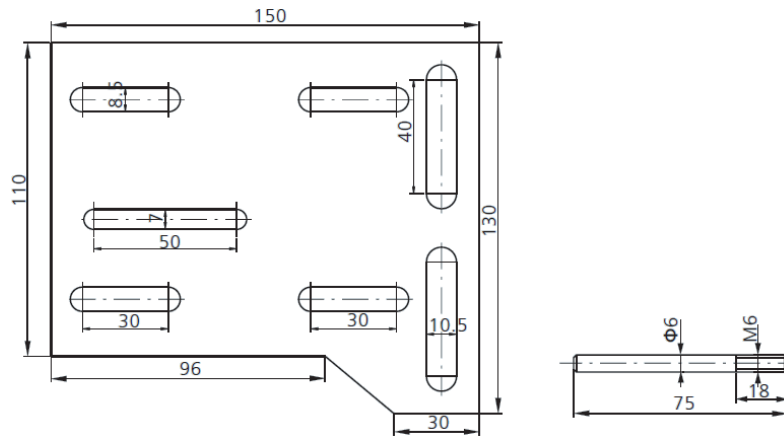
Basic Structure



Dimensions



Mounting Bracket



Wiring Diagram

