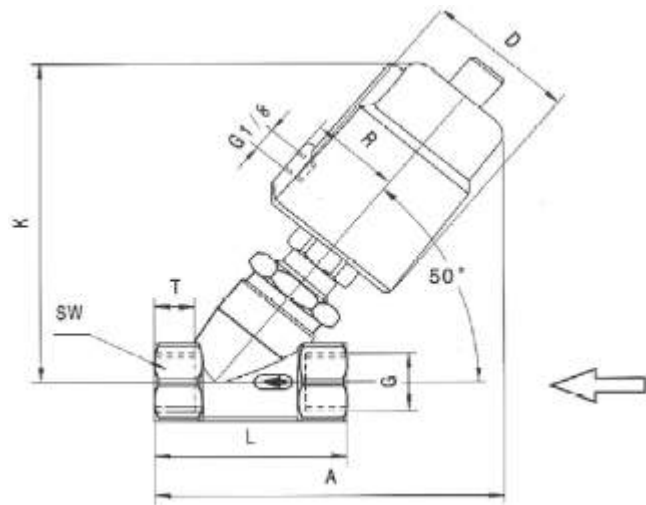


Art - 5060 Angle Seat Valve with Spring Return Actuator

Features

1. Angle seat valve.
2. Made in Stainless Steel CF8M.
3. Spring Return Actuator (Normal Close).
4. PTFE Seat
5. Threaded ends according ISO 7-1 (EN 10226-1) std.
6. Position indicator.
7. Max. Working pressure: 16 bar.
8. Air Control Pressure: 3 ~ 8 bar.
9. Working temperature: -10 °C ~ +180 °C.
10. Max. Fluid Viscosity: 600 mm² / s

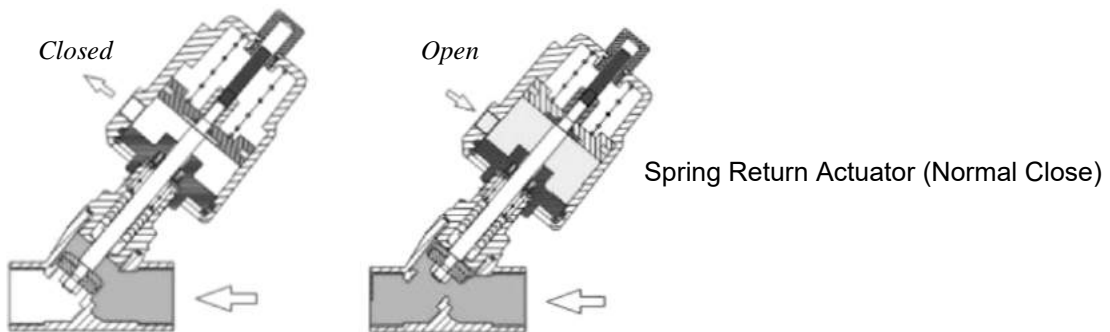


General Dimensions

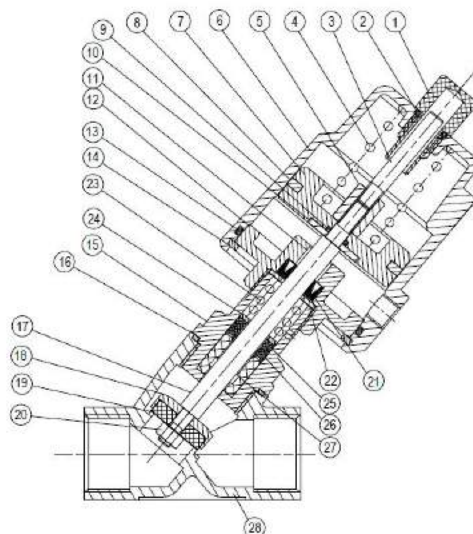
Ref	DN	PN	Dimensions (mm)								Weight (g)
			A	D	G	K	L	SW	R	T	
5060 04	15	16	135	60	1/2"	125	68	27	33	15	1300
5060 05	20	16	140	60	3/4"	132	75	32	33	16	1400
5060 06	25	16	150	60	1"	136	90	40	33	17	1700
5060 07	32	16	190	75	1 1/4"	174	116	50	41	21	3200
5060 08	40	16	190	75	1 1/2"	175	116	56	41	21	3600
5060 09	50	16	205	75	2"	183	138	69	41	22	4900

Ref	DN	Hole (mm)	Kv (m3/h)	Pressure differential (bar)		Minimum control pressure		Actuator (mm)	Actuator volume (liter)
				Min	Max	Min (bar)	Max (bar)		
5060 04	15	13	4.7	0	16	3	3.5	50	0.05
5060 05	20	18	9.5	0	16	3	4	50	0.05
5060 06	25	24	18.1	0	16	3	4.5	50	0.05
5060 07	32	31	23.1	0	16	3	5.5	63	0.11
5060 08	40	35	32.9	0	16	3	6.5	63	0.11
5060 09	50	45	52.8	0	9	3	7	63	0.11

Operation Mode



Valve Parts



Nº	Name	Material	Surface Treatment	Spare Part Code
1	Indicator Protector	Plastic		C5060
2	O-Ring	NBR		
3	Indicator	Nylon		
4	Spring	Steel 65Mn		
5	Nut	Aluminum		
6	Actuator Body	Stainless Steel 304	Shot Blasting	
7	Piston	Aluminum Alloy		
8	Piston Ring	FKM		R5060
9	O-Ring	NBR		
10	Washer	Stainless Steel 304		
11	Bearing	Aluminum Alloy		
12	Cover	Stainless Steel 304		
13	O-Ring	NBR		R5060
14	Check Ring	Stainless Steel 304		
15	Connection	Stainless Steel 316		
13	Body Seal	PTFE		R5060
17	Stem	Stainless Steel 316		
18	Seat Support	Stainless Steel 316		
19	Seat	PTFE		R5060
20	Nut	Stainless Steel 316		
21	Y-Ring	FKM		
22	Washer	Stainless Steel 304		
23	Spring	Stainless Steel 304		
24	Washer	Stainless Steel 304		
25*	Stem Packing	PTFE + Carbon		E5060
26*	Stem Packing	PTFE		E5060
27*	Stem Packing	PTFE + Carbon		E5060
28	Valve Body	Stainless Steel 316	Shot Blasting	

* Available spare parts