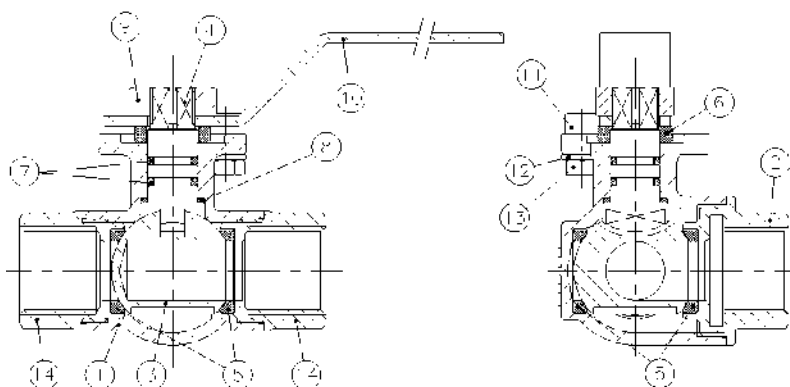


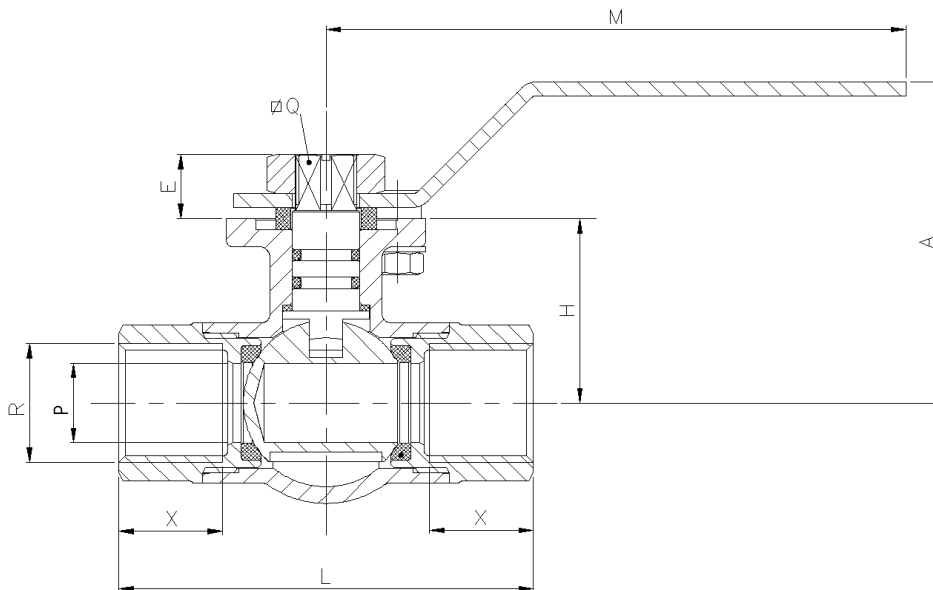
## Art3272E - Art3282E 3-Way Brass Ball Valve (Direct Mount)

### Features

1. Ball valve with full bore.
2. Brass construction acc/ to UNE-EN 12165 nickel plated.
3. Threaded ends gas (BSP) female-female according to ISO 228/1.
4. 2/3 ways "L" (3272E) / "T" (3282E) shape spherical seal assembled on 4 PTFE seats.
5. Possible direct mount actuator connection ISO 5211 and DIN 3337.
6. Working by means of steel lever handle.
7. Working temperature from -20°C to 150°C.
8. Maximum working pressure 25 bar (PN 25).
9. EPDM o-rings.



N°	Name	Material	Surface Treatment
1	Body	Brass	Peened + Nickel
2	Cap	Brass	Peened + Nickel
3	Ball	Brass	Chrome Plated
4	Stem	Brass	Nickel Plated
5	Ball Seats	PTFE	
6	Ring	NYLON	
7	O-Ring	EPDM	
8	PTFE Ring	PTFE	
9	Nut	Steel	Zinc Plated
10	Handle	Steel	Dacromet
11	Allen Screw	Steel	Zinc Plated
12	Grower Washer	Steel	Zinc Plated
13	Nut	Steel	Zinc Plated
14	Cap	Brass	Peened + Nickel



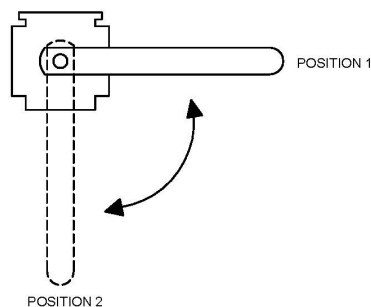
Ref	Size	PN	Dimensions (mm)								ISO5211	Weight (Kg)
			P	X	L	A	M	H	E	Q		
3272E / 3282E 04	1/2"	25	15	18	74	58	104	33	11,5	□9	F03	0,443 / 0,440
3272E / 3282E 05	3/4"	25	20	20	85	63	112	38	12,5	□9	F04	0,682 / 0,675
3272E / 3282E 06	1"	25	25	22	97	68	112	42,5	12,5	□9	F04	1,012 / 1,000

## Connections

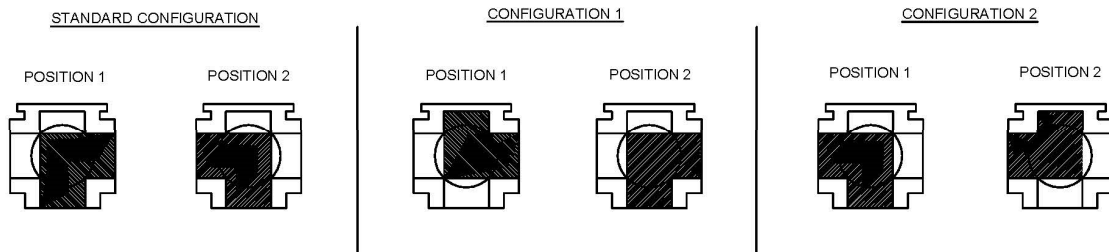
### Instructions (type 'T' or type 'L')

Pulling the lever, you can see a mark on the top of the shaft T / L-shaped, depending on the type, which indicates the direction in which there is passage through the ball.

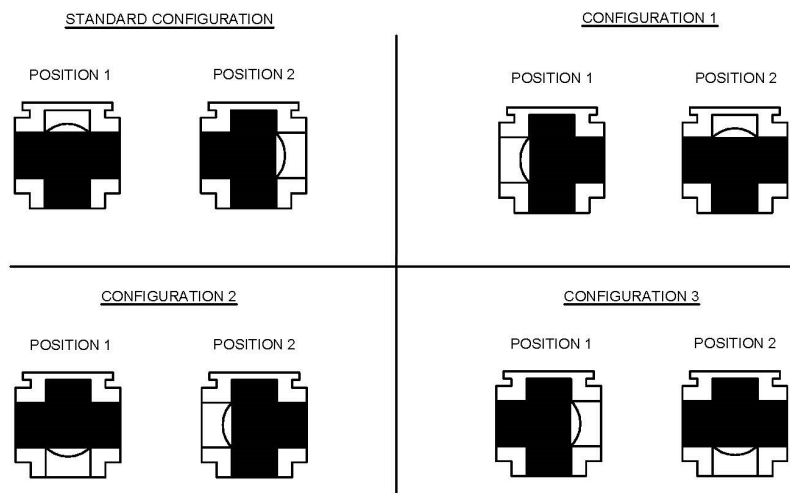
For each type, there are settings indicated in the following graphic scheme.



## L - PORT 90° TURN



## T - PORT 90° TURN

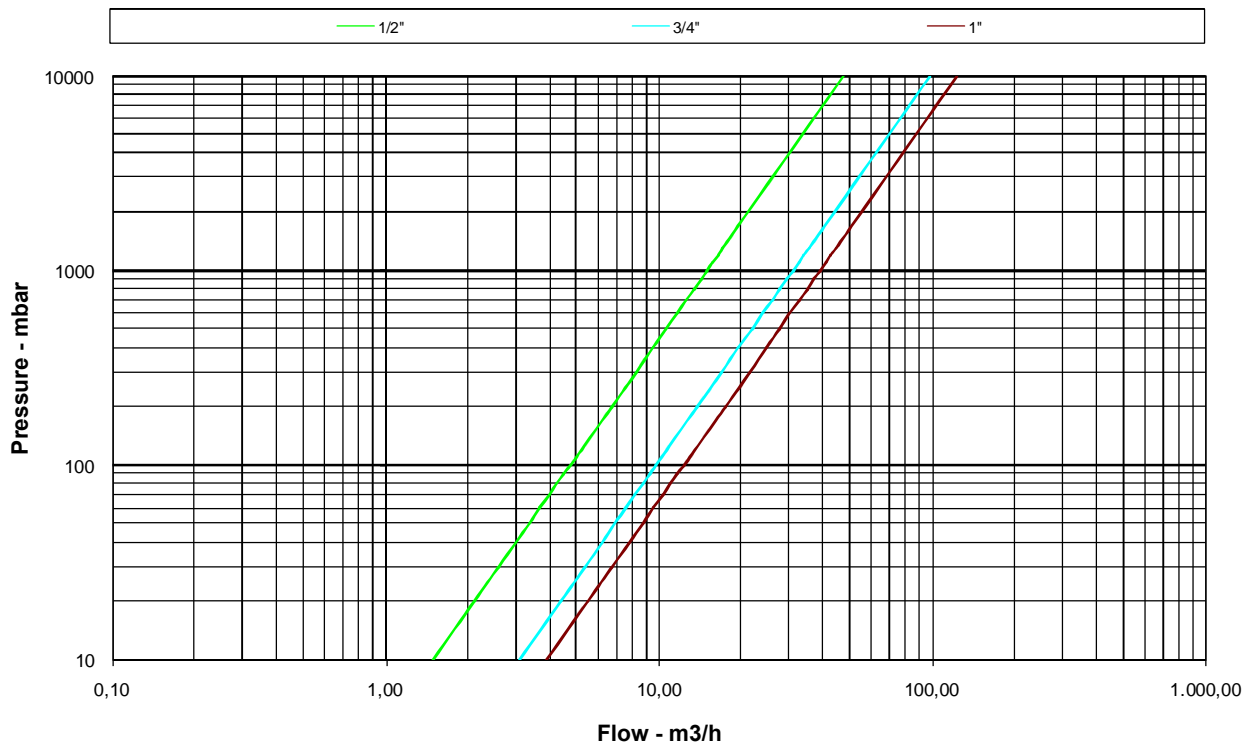


### Head Loss Chart 3-Way Threaded Full Bore Ball Valves

#### Kv Values

Kv: Water flow rate in cubic meters per hour generating a 1 bar pressure drop across the valve.

Size	1/2"	3/4"	1"
Kv	15	31	39



### Pressure/Temperature Rating

