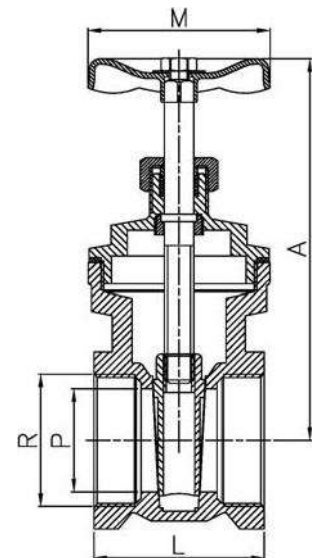
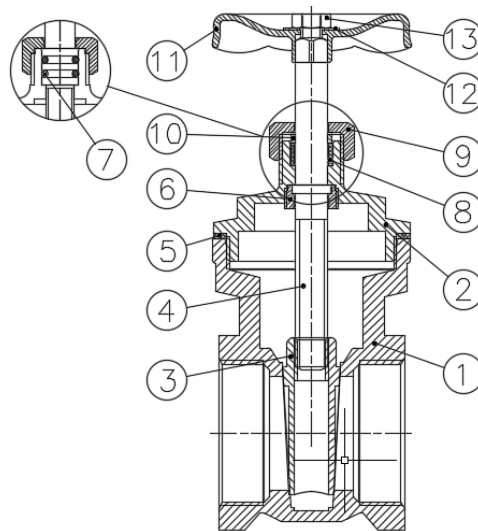


## Art3220 Reduced Bore Brass Gate Valve

### Features

1. Gate valve, reduced bore.
2. Body in brass according to UNE-EN 12165.
3. Threads ends Gas (BSP) Female-Female according to ISO 228/1.
4. Stem packing:  
-NBR o-ring from 1/2" to 1 1/2".  
-PTFE stem packing from 2" to 4".
5. Max. working pressure 16 bar (PN16).
6. Suitable for hot and cold water.
7. Working temperature range:  
Air: -15°C to 105°C.  
Water: 0°C to 110°C.



N°	Name	Material	Surface Treatment
1	Body	Brass (CW617N)	Peened + Pickling
2	Cap	Brass (CW617N)	Peened + Pickling
3	Gate	Brass (CW617N)	
4	Stem	Brass (CW617N)	
5	Bonnet Joint	PTFE	
6*	Lock Nut	Brass	
7**	Stem Sealing	NBR	
8	Stem Packing	PTFE	
9	Packing Nut	Brass	
10	Packing Ring	Brass	
11	Wheel	Steel	Red Painted
12	Washer	Aluminum	
13	Nut	Steel	Yellow Zinc Plated

\* Sizes 2" - 4" only.

\*\* Sizes 1/2" - 1 1/2" only.

# GENEBRE

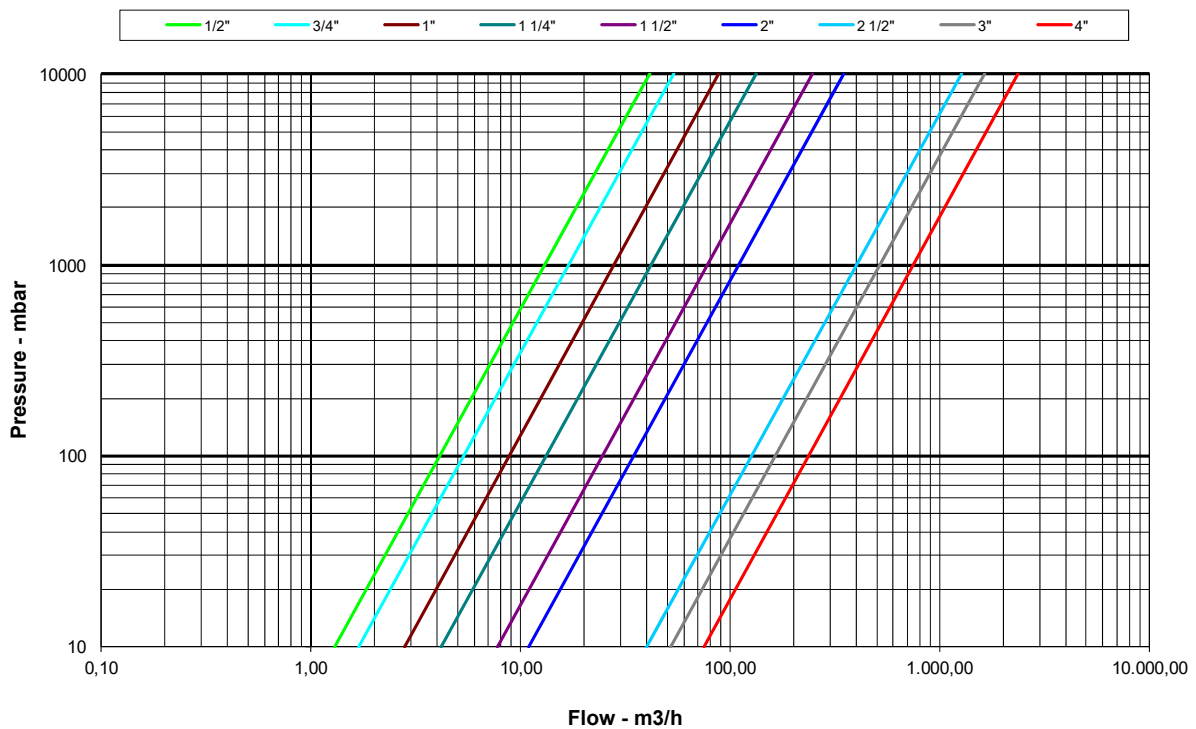
Ref	PN	Size	P	Dimensions (mm)			Weight (Kg)
				A	L	M	
3220 04	16	1/2"	13	62	36,8	51	0,158
3220 05	16	3/4"	15	66	42,5	55.8	0,206
3220 06	16	1"	19	73	45,8	60	0,291
3220 07	16	1 1/4"	27	91	50,8	60.6	0,436
3220 08	16	1 1/2"	33	98	54	70.8	0,602
3220 09	16	2"	42	127	62,8	92	1,056
3220 10	16	2 1/2"	57	160	68	100	1,890
3220 11	16	3"	60	190	83	110	2,526
3220 12	16	4"	91	238	92	132	4,518

## Kv Values

Kv: Water flow rate in cubic meters per hour generating a 1 bar pressure drop across the valve.

Size	1/2"	3/4"	1"	1 1/4"	1 1/2"	2"	2 1/2"	3"	4"
Kv	6	17	28	42	78	110	400	520	750

## Head Loss Chart Threaded Full Bore Ball Valves





Pressure/Temperature Rating

