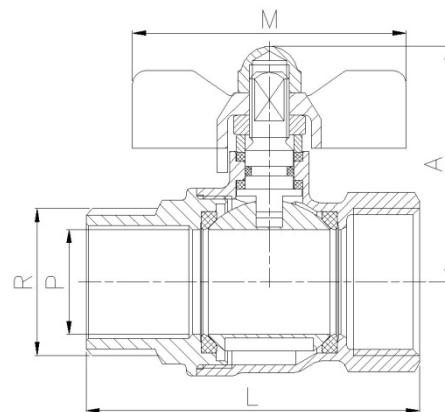
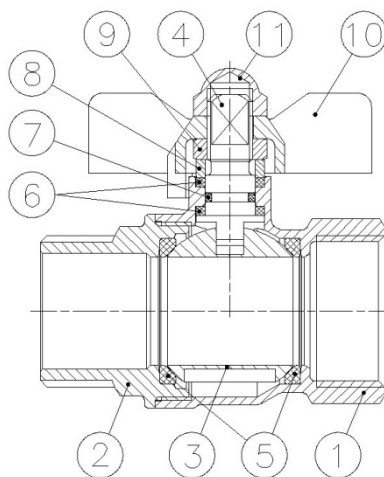


Art3036

Male/Female Brass Ball Valve w/ Butterfly Handle

Features

1. Ball valve with full bore.
2. Brass construction acc/ to UNE-EN 12165 chrome plated.
3. Threaded male-female ends gas (BSP) acc/ ISO 228/1.
4. Working by means of aluminium butterfly handle (Blue colour - cold water indicator)
5. Working temperature from -20°C to 110°C.
6. Maximum working pressure 25 bar (PN 25).
7. PTFE Seats.



N°	Name	Material	Surface Treatment
1	Body	Brass (CW617N)	Peened + Chromed
2	Cap	Brass (CW617N)	Peened + Chromed
3	Ball	Brass (CW617N)	Chrome Plated
4	Stem	Brass (CW617N)	Chrome Plated
5	Ball Seats	PTFE	
6	Stem Packing	PTFE	
7	O-Ring	NBR	
8	Stem Ring	Brass	Chrome Plated
9	Nut	Brass	Chrome Plated
10	T-Handle	Aluminium	Painted
11	Nut	Brass	Chrome Plated

Ref	Size	DN	Dimensions (mm)				Weight (Kg)
			P	A	L	M	
3036 02	1/4"	10	10	38	48	50	0,100
3036 03	3/8"	10	10	38	49	50	0,105
3036 04	1/2"	15	14	40	56	50	0,150
3036 05	3/4"	20	19	50	64	62	0,250
3036 06	1"	25	24	53	76	62	0,380



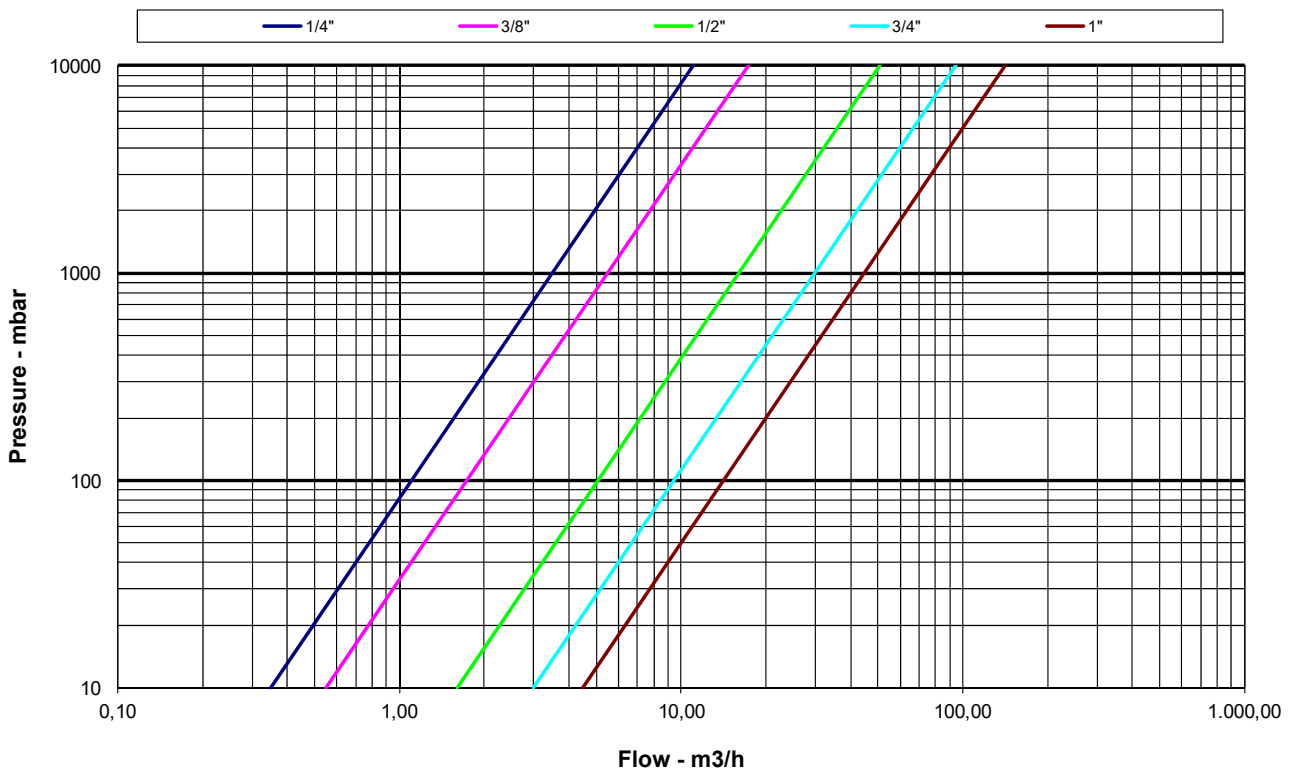
Kv Values:

Kv: The flow rate of water in cubic meters per hour that will generate a pressure drop of 1 bar across the valve.

Size	1/4"	3/8"	1/2"	3/4"	1"
Kv	3.5	5.5	16	30	45

Head Loss Chart

Threaded Full Bore Ball Valves





Pressure/Temperature Rating

