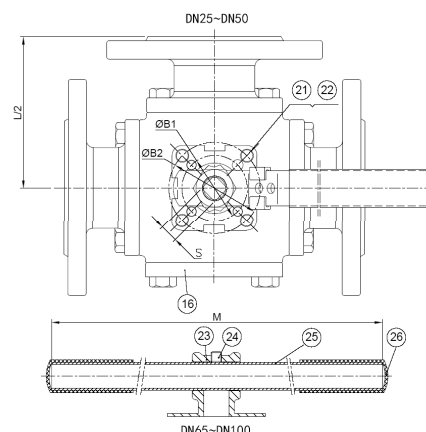
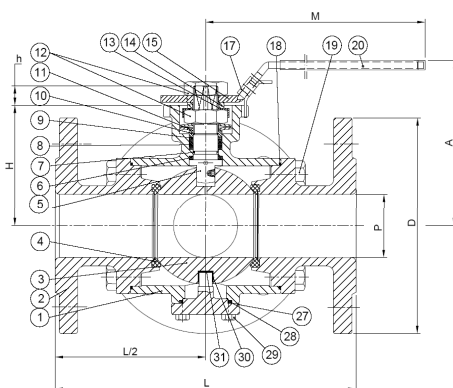


Art2540 Stainless Steel 3-Way L-Port Ball Valve (PN16/40 Flanged)

Features

1. Stainless steel full port ball valve.
2. "L" Ball configuration.
3. Flanges ends according to EN 1092.
PN40 from DN 25 to DN 50.
PN16 from DN 65 to DN 100.
4. Made of stainless steel 1.4408 (CF8M).
5. Design according to DIN 3357 / EN 12516-1.
6. Four Ball seats PTFE + 15 % G.F.
(please ask for other materials).
7. FKM (Viton) o'ring in the stem.
8. Anti-static device.
9. Locking system.
10. Direct mounting actuator according to ISO 5211.
11. Blow-out proof stem.
12. Max. working pressure 16 / 40 bar, according to size.
13. Working Temperature $-25\text{ }^{\circ}\text{C} + 180\text{ }^{\circ}\text{C}$.



N°	Name	Material	Surface Treatment	Spare Part Code
1	Body	Stainless Steel 1.4408	Shot Blasting	
2	Cap	Stainless Steel 1.4408	Shot Blasting	
3*	Ball	Stainless Steel 1.4408		B2540
4*	Ball Seat	PTFE + 15% Graphite		2928
5	Stem	Stainless Steel 316		
6*	Thrust Washer	PTFE		2928
7*	O-Ring	FKM		2928
8*	Stem Packing	PTFE		2928
9*	Bushing	Stainless Steel + PTFE		2928
10	Gland	Stainless Steel 316		

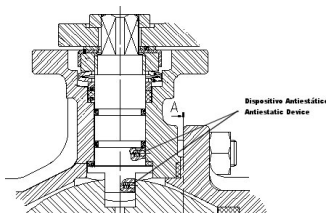
N°	Name	Material	Surface Treatment	Spare Part Code
11	Spring Washer	Stainless Steel 301		
12	Stem Nut	Stainless Steel 304		
13	Nut Locker	Stainless Steel 304		
14	Washer	Stainless Steel 304		
15	Handle (DN25 - DN50)	Stainless Steel 304		
16	End Cap	Stainless Steel 1.4408	Shot Blasting	
17	Lock Device (DN25 - DN50)	Stainless Steel 304		
18*	Gasket	PTFE		2928
19	Bolt	Stainless Steel 304		
20	Handle Sleeve	Vinyl		
21	Stop Bolt	Stainless Steel 304		
22	Nut	Stainless Steel 304		
23	Handle Adapter (DN65 - DN100)	Stainless Steel 304	Shot Blasting	
24	Bolt	Stainless Steel 304		
25	Handle	ASTM A53	Zinc Plated	
26	Handle Sleeve	Vinyl		
27	Bottom Cap	Stainless Steel 316	Shot Blasting	
28*	Gasket	PTFE		2928
29	Bolt	Stainless Steel 304		
30*	Bush	PTFE		2928
31*	Disk	PTFE		2928

*Spare parts available

General Dimensions

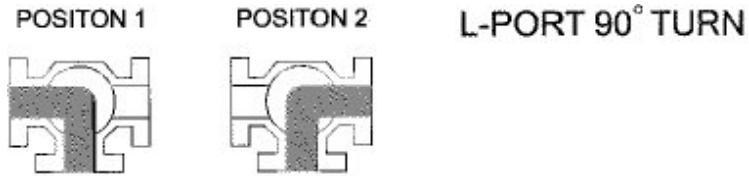
Ref	Size	PN	P	Dimensions (mm)							ISO 5211 (B1/B2)	Weight (Kg)
				L	D	H	A	M	S	h		
2540 06	1"	40	25	180	115	68	99	175	11	11	F04/F05	8,600
2540 07	1 ¼"	40	32	190	140	72	103	175	11	11	F04/F07	11,800
2540 08	1 ½"	40	38	212	150	85	119	200	14	14	F05/F07	14,700
2540 09	2"	40	49	230	165	92	126	200	14	14	F05/F07	19,700
2540 10	2 ½"	16	63	290	185	107	172	400	17	17	F07/F10	33,300
2540 11	3"	16	75	310	200	119	187	400	17	18	F07/F10	47,100
2540 12	4"	16	99	350	220	150	214	400	22	22	F10	73,700

Anti-static Device



This ensures electrical continuity between the body, ball & stem, this is of special need in flammable fluids.

Flow Patterns



Kv Values

Kv (m³/h): Water flow rate in cubic meter per hour generating a 1 bar pressure drop across the valve.

1"	1 1/4"	1 1/2"	2"	2 1/2"	3"	4"
39	50	96	192	264	351	653

Pressure/Temperature Rating

