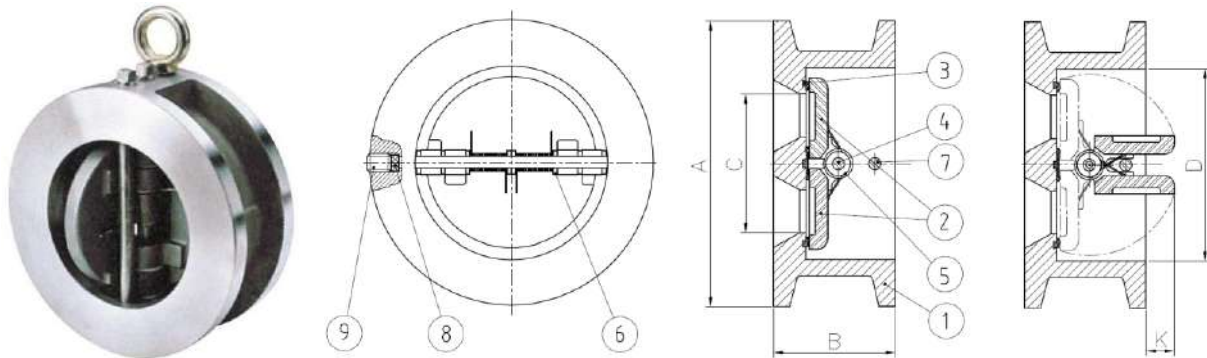


## Art2402 Stainless Steel Double Disk Wafer Check Valve

### Features

1. Wafer check valve (double disk).
2. Made of Stainless steel 1.4408 (CF8M).
3. Disk made of Stainless steel 1.4408 (CF8M).
4. Axle and spring made of AISI 316.
5. Seat of FKM (Viton) vulcanised in groove.
6. Assembly between flanges EN 1092 PN25 / ANSI 150 (EN 1092 PN 10/16 only up to DN200).
7. Installed in vertical, horizontal or inclined position.
8. Face to Face according to EN 558-1.
9. Max. Working pressure 25 bar.
10. Working temperature -20 °C ~ +180 °C.



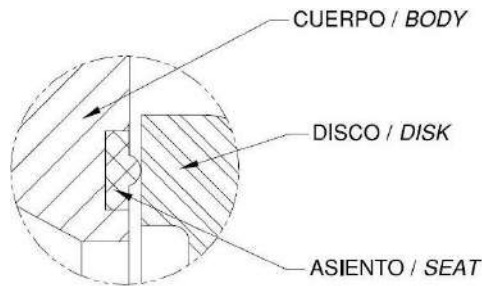
Ref	Name	Material	Surface Treatment	Spare Part Code
1	Body	Stainless Steel 1.4408	Shot Blasting	
2	Disk	Stainless Steel 1.4408	Shot Blasting	
3	Seat	FKM		
4	Axle	Stainless Steel 316		
5*	Spring	Stainless Steel 316		K2401
6*	Washer	PTFE		K2401
7	Disk Stopper	Stainless Steel 316		
8*	Plug	FKM		K2401
9*	Grub Screw	Stainless Steel 304		K2401

\*Spare parts available

## General Dimensions

Ref	Size	DN	PN	Dimensions (mm)					Weight (Kg)
				A	B	C	D	K	
2402 09	2 "	50	25	101	54	48	66	5	1.30
2402 10	2 1/2 "	65	25	119	54	59	80	11	1.80
2402 11	3 "	80	25	133	57	72	95	11	2.40
2402 12	4 "	100	25	164	64	90	117	24	3.90
2402 13	5 "	125	25	194	70	110	145	34	6.30
2402 14	6 "	150	25	220	76	135	170	43	8.10
2402 16	8 "	200	25	275	95	175	224	67	15.50
2402 18	10 "	250	25	337	108	215	255	80	21.30
2402 20	12 "	300	25	400	143	254	302	96	34.00

## Seat Detail



## Minimum Opening Pressure

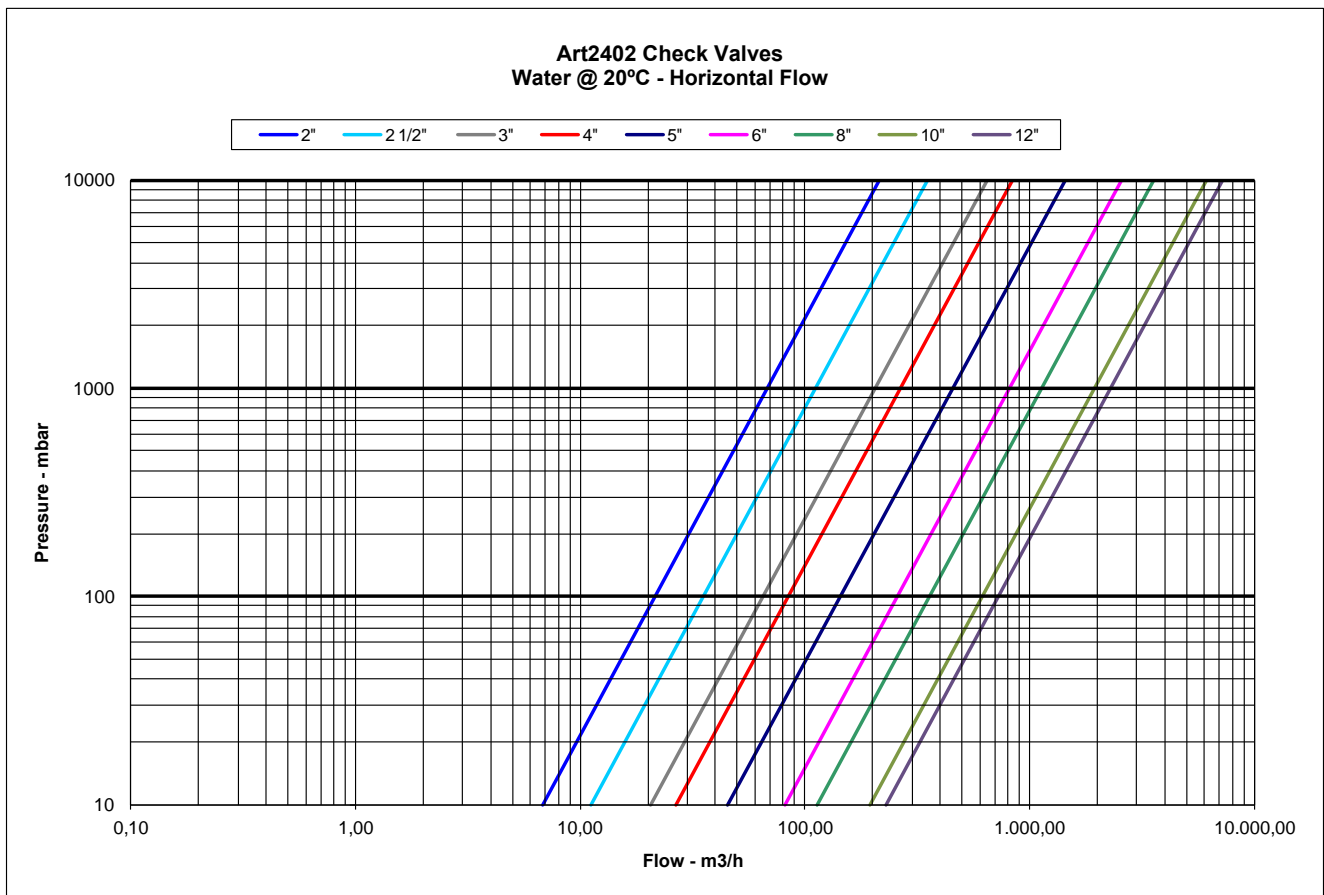
FLOW	Aplication	Pressure	2"	2 1/2"	3"	4"	5"	6"	8"	10"	12"
	with spring	mbar	22,8	22,8	22,8	24	24,5	24,7	25,4	26,6	27,3
	with spring	mbar	22,4	22,4	22,4	23,5	24	24,1	24,7	25,8	26,4
	with spring	mbar	22	22	22	23	23,5	23,5	24	25	25,5
	without spring	mbar	0,4	0,4	0,4	0,5	0,5	0,6	0,7	0,8	0,9

## Kv Values

Kv: Water flow rate in cubic meter per hour generating a 1 bar pressure drop across the valve.

D	Inch	2"	2 1/2"	3"	4"	5"	6"	8"	10"	12"
Kv	m <sup>3</sup> /h	68	111	206	266	455	813	1132	1950	2300

## Head Loss Diagram



## Pressure/Temperature Rating

