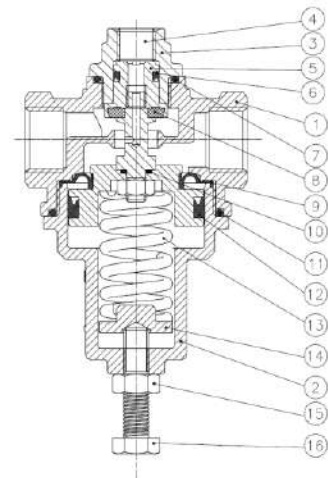
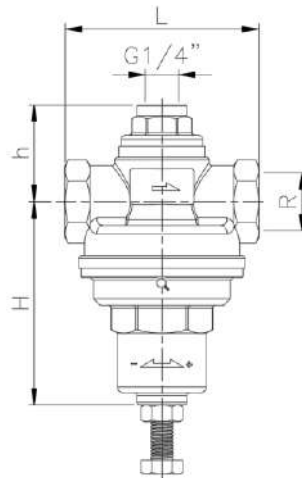


Art2272 Stainless Steel Pressure Reducing Valve

Features

1. Pressure reducing valve - Direct Action (fully automatic operation without the need of external energy) for liquid and gas applications. Not suitable for steam.
2. Threaded ends acc. to ISO 228/1.
3. Body in Stainless Steel 1.4408 (CF8M).
4. Piston & Diaphragm design improves the ability of sustaining pressure regardless of the instability of the inlet pressure.
5. Seat and diaphragm in FPM (Viton) elastomer.
6. Maximum working pressure 25 bar.
7. Pressure adjusting range: 1 to 6 bar (preset 3 bar).
8. Working temperature from -15 °C to 120 °C.
9. Pressure gauge connection G1/4" acc. to ISO 228/1.
10. Compact/light design, easy adjusting of pressure, maintenance free, installation in any position.



N°	Name	Material	Surface Treatment
1	Body	Stainless Steel 1.4408	Pickling + Blasting
2	Bottom Cover	Stainless Steel 1.4408	Pickling + Blasting
3	Top Cover	Stainless Steel 1.4408	Pickling + Blasting
4	Plug	Stainless Steel 304	
5	Piston	Stainless Steel 1.4408	
6	U-Ring	FPM	
7	O-Ring	FPM	

8	Seat	FPM	
9	Diaphragm	FPM	
10	O-Ring	FPM	
11	O-Ring	FPM	
12	O-Ring	FPM	
13	Spring	Spring steel	Painted
14	Spring Guide	Stainless Steel 1.4308 (CF8)	
15	Nut	Stainless Steel 304	
16	Adjusting Screw	Stainless Steel 304	

General Dimensions

Ref	Size	PN	Dimensions (mm)			Kv (m3/h)	Weight (Kg)
			H	h	L		
2272 04	1/2"	25	72	34	70	2,1	0,775
2272 05	3/4"	25	75	38	85	3,4	0,890
2272 06	1"	25	75	46	92	5,5	1,095

