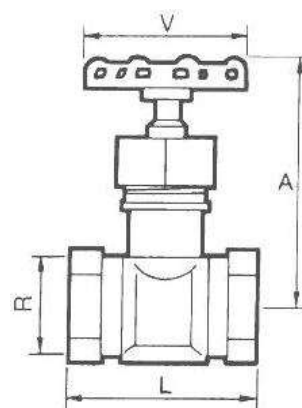
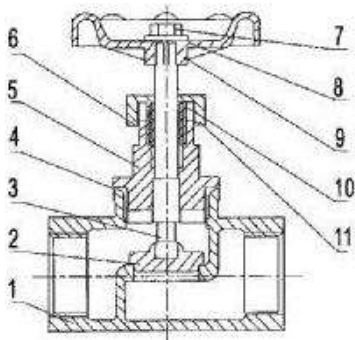


Art2230 Stainless Steel Globe Valve

Features

1. Globe valve.
2. Made of Stainless Steel 1.4408 (CF8M).
3. Compact disc made of S. Steel 316.
4. Threaded ends according ISO 7-1 (EN 10226-1).
5. Stem Packing PTFE.
6. Max. Working pressure 16 bar.
7. Max. Working temperature 180 °C.



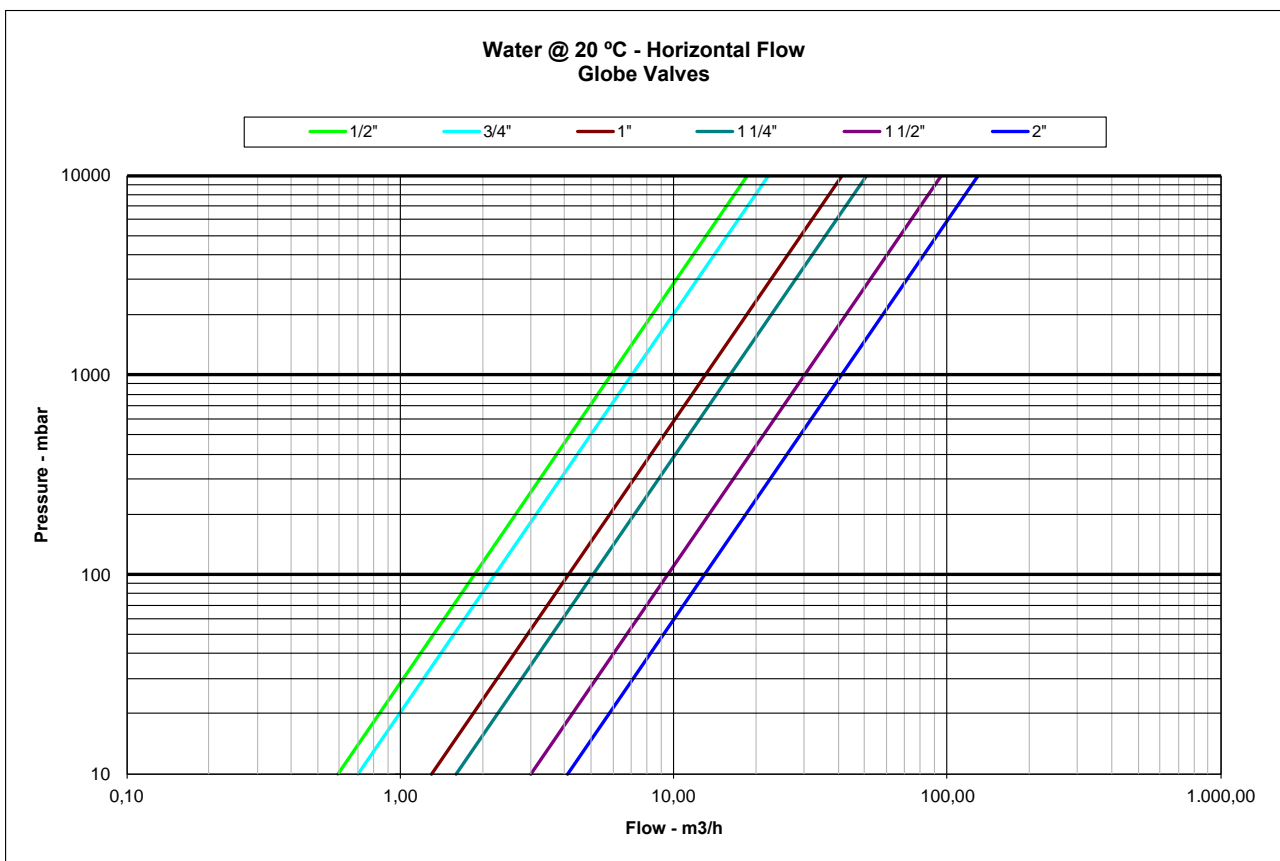
Nº	Name	Material	Surface Treatment
1	Body	Stainless Steel 1.4408	Shot Blasting
2	Disc	Stainless Steel 1.4408	
3	Stem	Stainless Steel 316	
4	Body Gasket	PTFE	
5	Cap	Stainless Steel 1.4408	Shot Blasting
6	Washer	Stainless Steel 316	
7	Nut	Stainless Steel 304	
8	Washer	Stainless Steel 304	
9	Handwheel	Aluminium	Painted
10	Packing Nut	Stainless Steel 316	
11	Stem Packing	PTFE	



General Dimensions

Ref	Size	PN	Dimensions (mm)				Weight (Kg)
			R	A (OPEN)	L	V	
2230 04	1/2"	16	1/2"	97	65	70	0.380
2230 05	3/4"	16	3/4"	103	75	70	0.600
2230 06	1"	16	1"	116	90	80	0.850
2230 07	1 1/4"	16	1 1/4"	135	105	80	1.365
2230 08	1 1/2"	16	1 1/2"	152	120	100	1.880
2230 09	2"	16	2"	164	140	100	2.680

Head Loss Diagram





Kv Values

Kv: Water flow rate in cubic meter per hour that generates a 1 bar pressure drop across the valve.

Size	1/2"	3/4"	1"	1 1/4"	1 1/2"	2"
m ³ /h	5.9	7	13	16	30	41

Pressure/Temperature Rating

