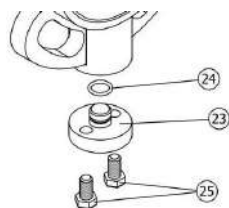
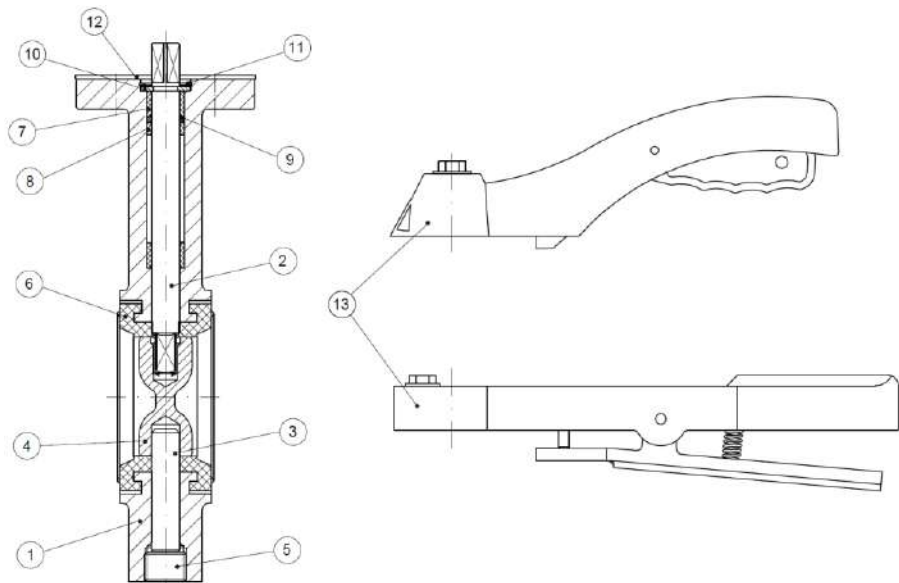


## Art2109 Cast Iron Wafer Butterfly Valve

### Features

1. Butterfly valve wafer type.
2. EN-GJL-200 (GG-20) CI body allows installation between ANSI 150 and EN 1092 PN 10/16 flanges.
3. EPDM body seat.
4. Disc made of Stainless Steel 1.4408 (CF8M).
5. Actuator mounting plate according to ISO 5211.
6. Face to face according to UNE EN 558-1 Series 20 (DIN 3202 K1).
7. Epoxy coating.
8. Working Temperature  $-20^{\circ}\text{C}$   $+120^{\circ}\text{C}$ .
9. Maximum working pressure:  
16 bar (sizes 2" to 12")  
10 bar (sizes 14" to 24")

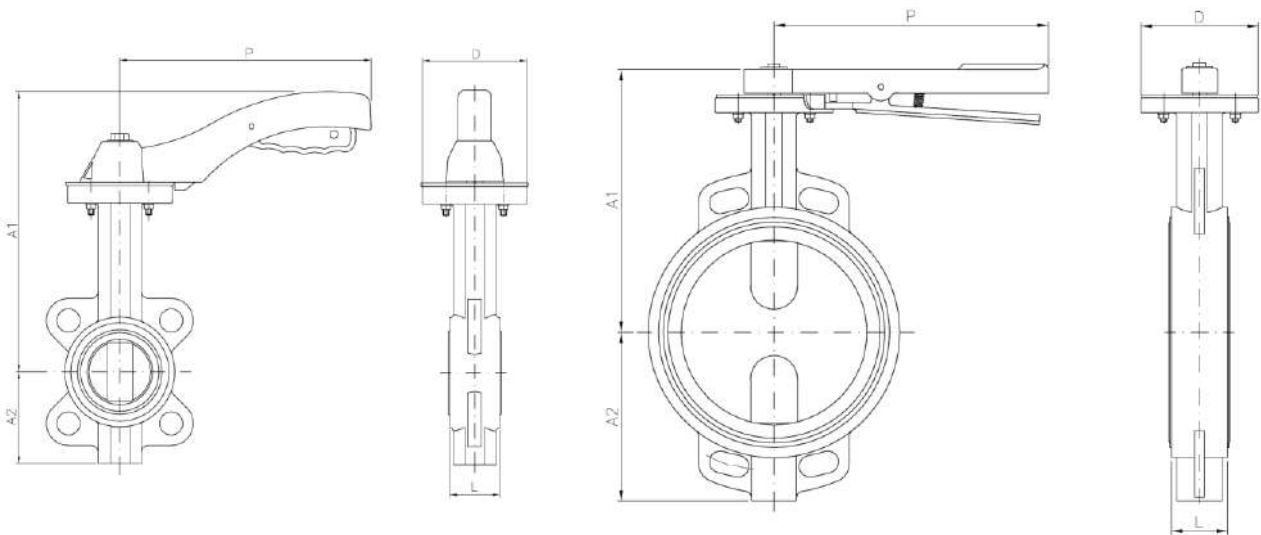


Sizes 14" & Above

N	Name	Material	Surface Treatment	Spare Part Code
1	Body	Cast Iron EN-GJL-200	Epoxy Painted	
2	Stem	Stainless Steel 416		
3	Pivot	Stainless Steel 416 (Up to 12")		
4	Disc	Stainless Steel 1.4408 (CF8M)	Shot Blasting	
5	Plug	Carbon Steel (Up to 12")	Zinc Plated	
6*	Seat	EPDM		E2109
7	Bush	PTFE + Graphite		
8	Bush	PTFE + Graphite		
9	O-Ring	NBR		
10	Washer	Carbon Steel	Zinc Plated	
11	Stop Ring	Carbon Steel	Zinc Plated	
10	Plate	Carbon Steel	Zinc Plated	
13	Handle	Aluminium or Cast Iron EN-GJL-200	Epoxy Painted	
23	Plug	Cast Iron EN-GJL-200 (14" & Above)	Epoxy Painted	
24	O-Ring	NBR (14" & Above)		
25	Bolt	Carbon Steel (14" & Above)	Zinc Plated	

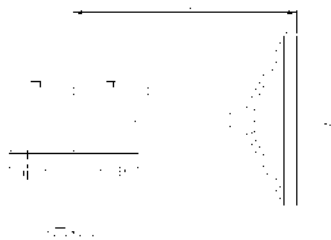
\*Spare parts available

## General Dimensions



2" - 6"

8" - 10"

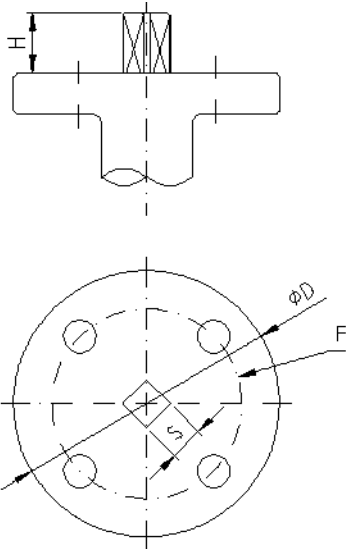


12" & Above

Ref	Size	DN	PN	L	Dimensions (mm)				Weight (Kg)
					A1	A2	J	P	
2109 09	2"	50	16	43	238	70	***	170	2,800
2109 10	2 ½"	65	16	46	238	80	***	170	3,300
2109 11	3"	80	16	46	238	100	***	170	3,800
2109 12	4"	100	16	52	270	115	***	215	5,800
2109 13	5"	125	16	56	300	135	***	215	7,400
2109 14	6"	150	16	56	300	150	***	215	8,350
2109 16	8"	200	16	60	280	180	***	300	14,400
2109 18	10"	250	16	68	330	215	***	300	21,800
2109 20	12"	300	16	78	360	250	240	290	38,800
2109 22	14"	350	10	78	390	260	257	290	56,100
2109 24	16"	400	10	102	420	300	257	290	77,600
2109 26	18"	450	10	114	445	330	306	400	115,500
2109 28	20"	500	10	127	480	370	306	400	144,500
2109 32	24"	600	10	152	710	467	342	400	243,000

\*\*\* 2" - 6": Aluminium handle. | 8" - 10" Cast iron handle. | 12 & Above: Gearbox operated

## Top flange dimensions



Article	DN	F (ISO5211)	S	D	H	Torque N·m
2109 09	50	F05	11	65	16	12
2109 10	65	F05	11	65	16	20
2109 11	80	F05	11	65	16	27
2109 12	100	F07	14	90	16	39
2109 13	125	F07	14	90	16	58
2109 14	150	F07	14	90	16	90
2109 16	200	F07/F10	17	125	30	120
2109 18	250	F10	22	125	40	180
2109 20	300	F10/F12	22	150	40	340
2109 22	350	F12	22	150	45	640
2109 24	400	F14	27	175	45	805
2109 26	450	F14	27	175	45	1100
2109 28	500	F14	36	175	45	1500
2109 32	600	F16	Ø 50,65	210	70	2500

## Head Losses By Disc Position

DN	Disc Position (degrees)								
	90°	80°	70°	60°	50°	40°	30°	20°	10°
50	125	99	73	53	37	23	14	6	0,9
65	244	193	141	93	58	37	21	10	1,3
80	399	315	231	133	83	53	30	13	1,7
100	727	606	429	237	148	94	54	23	2,6
125	1190	991	670	370	232	147	85	37	4
150	1600	1334	887	490	306	195	112	48	5
200	2868	2458	1611	935	588	364	208	88	10
250	4697	3914	2550	1479	931	577	330	140	16
300	6987	5822	3800	2217	1379	869	480	203	23
350	9115	7676	5137	2927	1859	1142	654	259	29
400	12081	10173	6805	3878	2463	1513	866	343	39
450	14890	12539	8706	4962	3151	1935	1108	439	50
500	19323	16272	10843	6180	3924	2410	1380	547	62
600	37295	33939	22626	14297	8640	4848	2238	1057	130

### Kv Values

Kv: Flow rate of water in cubic meter per hour (m<sup>3</sup>/h) that will generate a pressure drop of 1 bar across the valve.

### Cv Values

Cv: Flow rate of water (gpm) which generates a pressure drop of 1 psi across the valve.

Cv: 1,156 · Kv

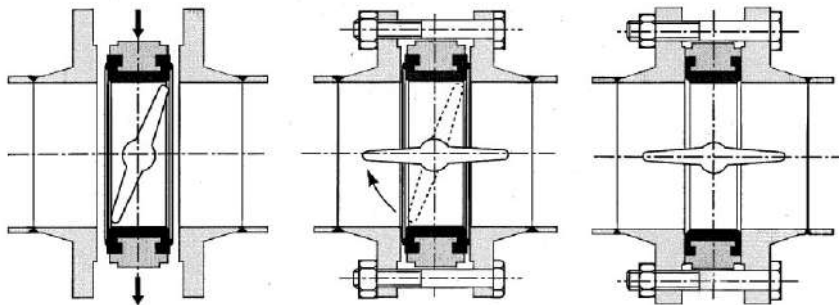
### Installation Precautions

Do not install the butterfly valve in fully closed position.

Check the good parallelism of the flanges.

Do not insert other gaskets between flange and valve.

Open completely the valve before tightening flanges.



## Pressure/Temperature Rating

