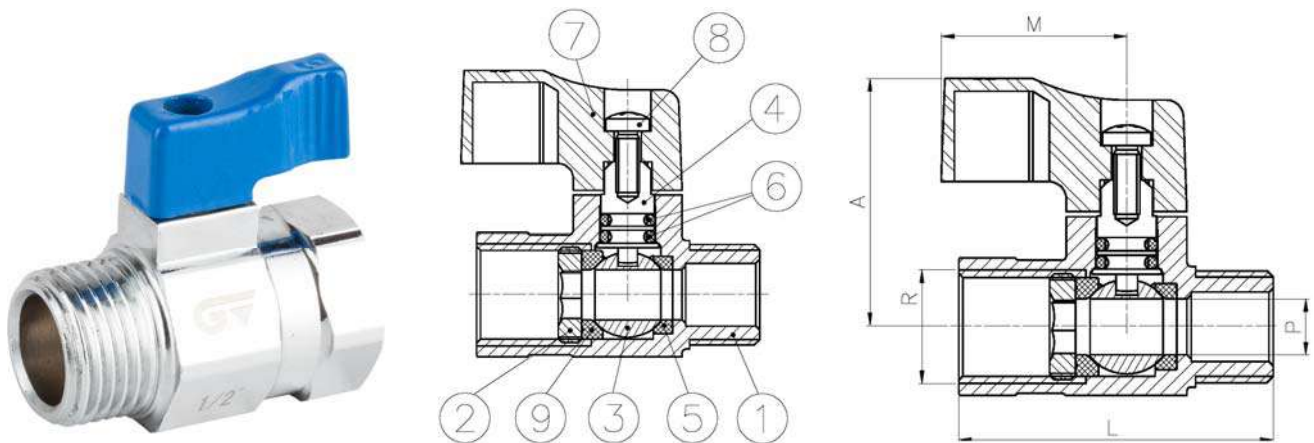


Art3097

Reduced Bore Mini Brass Ball Valve (Male/Female)

Features

1. Ball valve mini style, reduced bore.
2. Maximum working pressure 16 bar (PN 16).
3. Body brass construction according to UNE-EN 12165 chrome plated.
4. Male-female (BSP) gas threaded ends according ISO 228/1.
5. Working temperature from -20°C to 110°C.
6. Drive by aluminium handle.
7. PTFE Seats.



N°	Name	Material	Surface Treatment
1	Body	Brass (CW617N)	Chrome Plated
2	Cap	Brass	
3	Ball	Brass	Chrome Plated
4	Stem	Brass	
5	Ball Seat	PTFE	
6	O-Ring	NBR	
7	Handle	Aluminium	Painted
8	Screw	Steel AISI 201	
9	Ball Seat	PTFE	

Ref	Size	P	Dimensions (mm)			Weight (Kg)
			A	L	M	
3097 01	1/8"	6,5	28	36	22	0,045
3097 02	1/4"	6,5	28	37	22	0,045
3097 03	3/8"	8	30	40	22	0,065
3097 04	1/2"	10	33	44	22	0,100
3097 05	3/4"	12,5	36	52	22	0,160

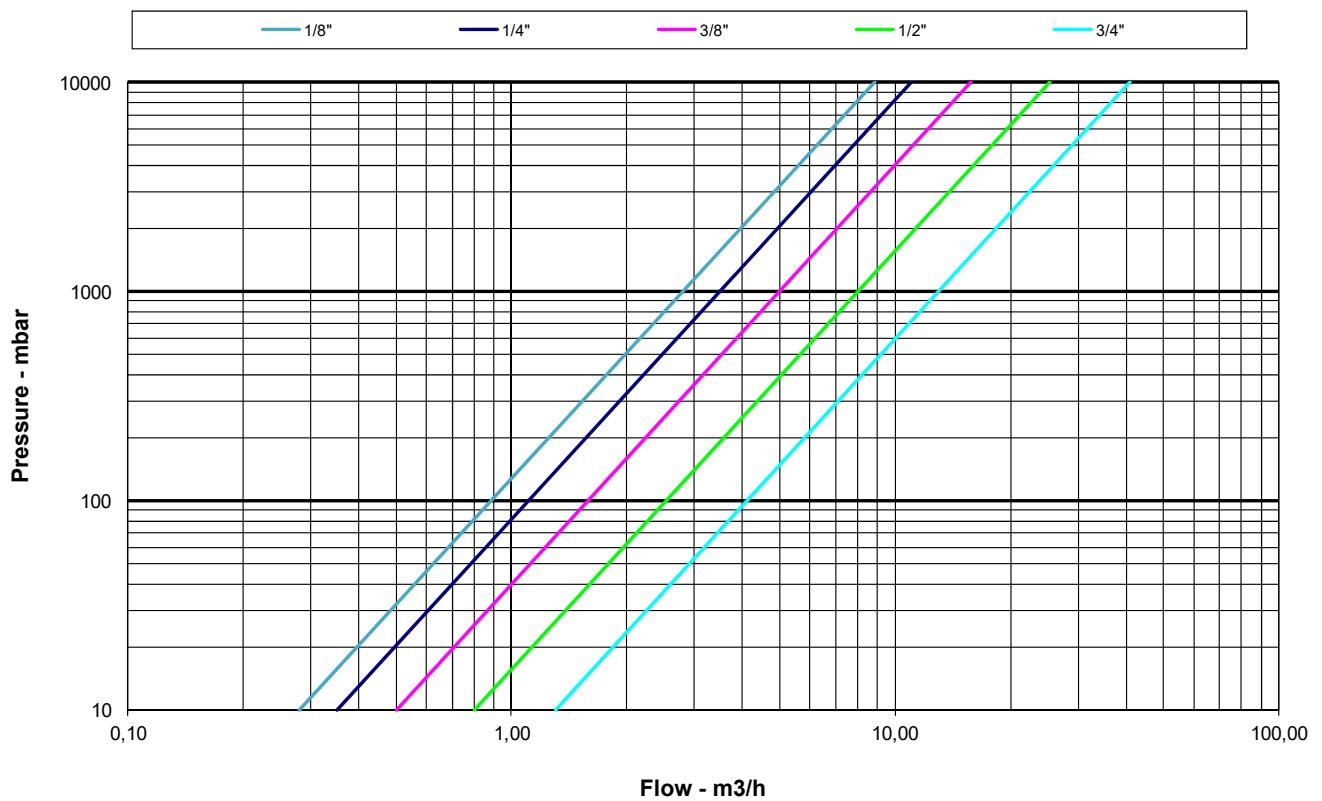


Kv Values

Kv: Water flow rate in cubic meters per hour (m³/h) generating a 1 bar pressure drop across the valve.

Medida / Size	1/8"	1/4"	3/8"	1/2"	3/4"
Kv	2.8	3.5	5	8	13

Head Loss Chart Threaded Full Bore Ball Valves





Pressure/Temperature Rating

