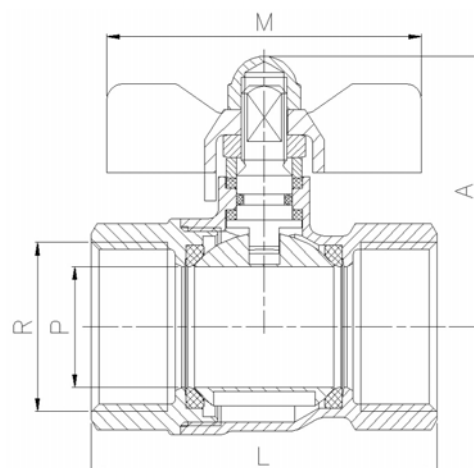
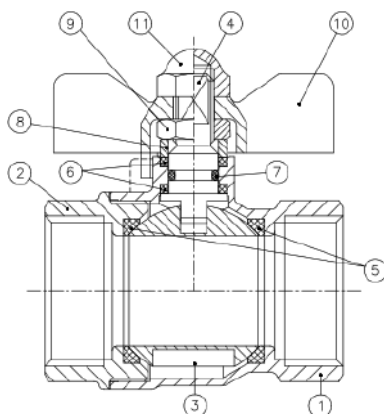


## Art3035

### 2-Piece Full Bore Brass Ball Valve (Butterfly Handle)

#### Features

1. Ball valve with full bore.
2. Brass construction acc./ to UNE-EN 12165 chrome plated.
3. Threaded female ends gas (BSP) acc/ ISO 228/1.
4. Working by means of aluminium butterfly handle. (Blue colour - cold water indicator).
5. Working temperature from -20°C to 110°C.
6. Maximum working pressure 25 bar (PN 25).
7. PTFE Seats.



Nº	Name	Material	Surface Treatment
1	Body	Brass (CW617N)	Peened + Chromed
2	Cap	Brass (CW617N)	Peened + Chromed
3	Ball	Brass (CW617N)	Chrome Plated
4	Stem	Brass (CW617N)	Chrome Plated
5	Ball Seats	PTFE	
6	Stem Packing	PTFE	
7	O-Ring	NBR	
8	Stem Ring	Brass	Chrome Plated
9	Nut	Brass	Chrome Plated
10	T-Handle	Aluminium	Painted
11	Nut	Brass	Chrome Plated

Ref	Size	DN	P	Dimensions (mm)			Weight (Kg)
				A	L	M	
3035 02	1/4"	10	10	38	40	50	0,090
3035 03	3/8"	10	10	38	43	50	0,100
3035 04	1/2"	15	14	40	49	50	0,145
3035 05	3/4"	20	19	50	56	62	0,240
3035 06	1"	25	24	53	68	62	0,360

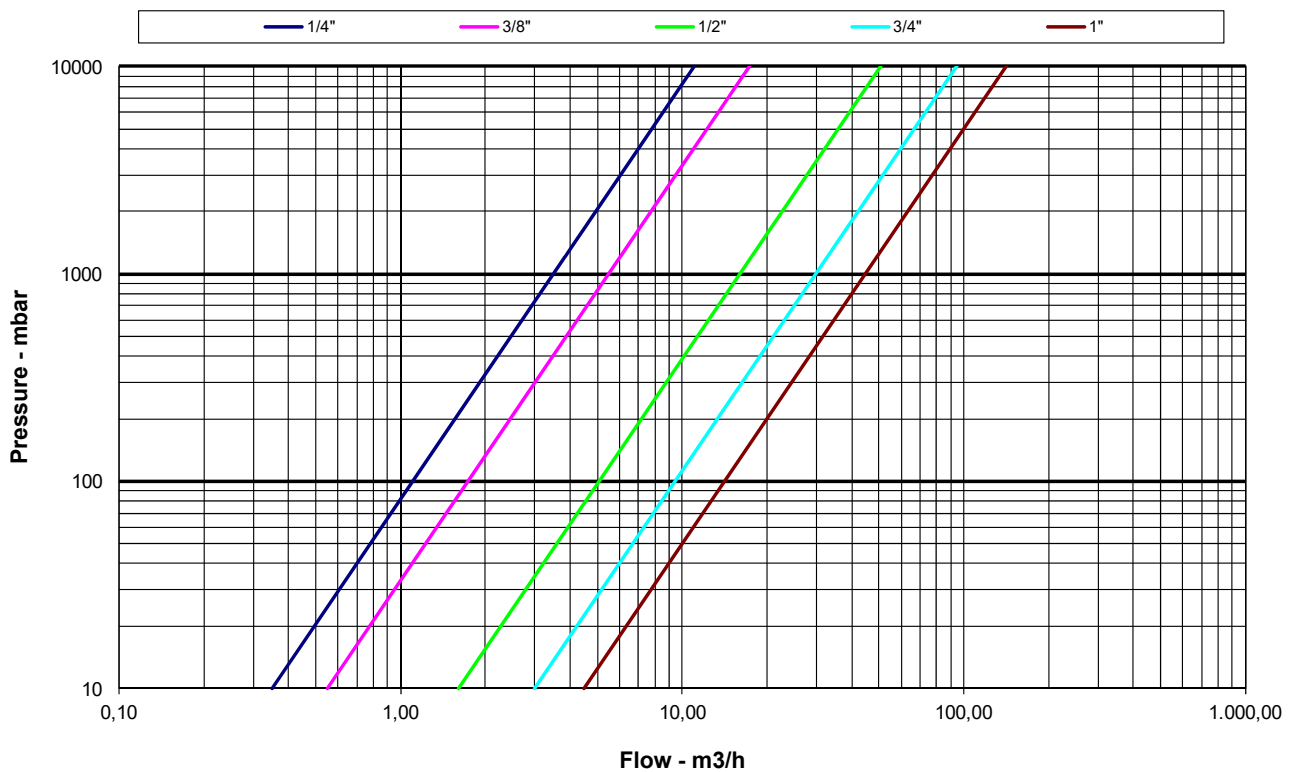


### Kv Values

Kv: Water flow rate in cubic meters per hour (m3/h) generating a 1 bar pressure drop across the valve.

Size	1/4"	3/8"	1/2"	3/4"	1"
Kv	3.5	5.5	16	30	45

### Head Loss Chart Threaded Full Bore Ball Valves





### Pressure/Temperature Rating

