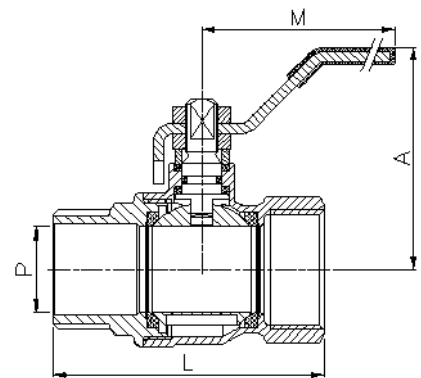
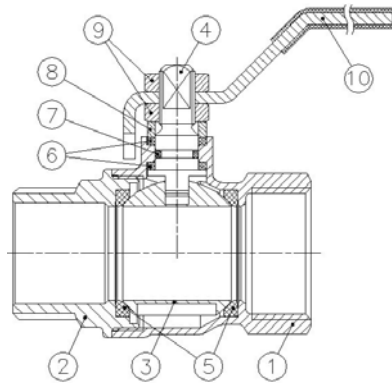


Art3034 2-Piece Full Bore Brass Ball Valve (Male/Female)

Features

1. Ball valve with full bore.
2. Brass construction acc./ to UNE-EN 12165 chrome plated.
3. Threaded male-female ends gas (BSP) according to ISO 228/1.
4. Working by means of steel lever handle.
5. Working temperature from -20°C to 110°C.
6. Maximum working pressure 25 bar (PN 25).
7. PTFE Seats.



Nº	Name	Material	Surface Treatment
1	Body	Brass (CW617N)	Peened + Chromed
2	Cap	Brass (CW617N)	Peened + Chromed
3	Ball	Brass (CW617N)	Chrome Plated
4	Stem	Brass (CW617N)	Chrome Plated
5	Ball Seats	PTFE	
6	Stem Packing	PTFE	
7	O-Ring	NBR	
8	Stem Ring	Brass	Chrome Plated
9	Nut	Brass	Chrome Plated
10	Handle	Steel	Dacromet

Ref	Size	DN	P	Dimensions (mm)			Weight (Kg)
				A	L	M	
3034 02	1/4"	10	10	46	48	84	0,115
3034 03	3/8"	10	10	46	49	84	0,120
3034 04	1/2"	15	15	47	55	84	0,170
3034 05	3/4"	20	20	58	64	98	0,275
3034 06	1"	25	25	61	76	98	0,410
3034 07	1 1/4"	32	32	74	87	126	0,650
3034 08	1 1/2"	40	40	80	95	126	0,875
3034 09	2"	50	50	91	109	158	1,370

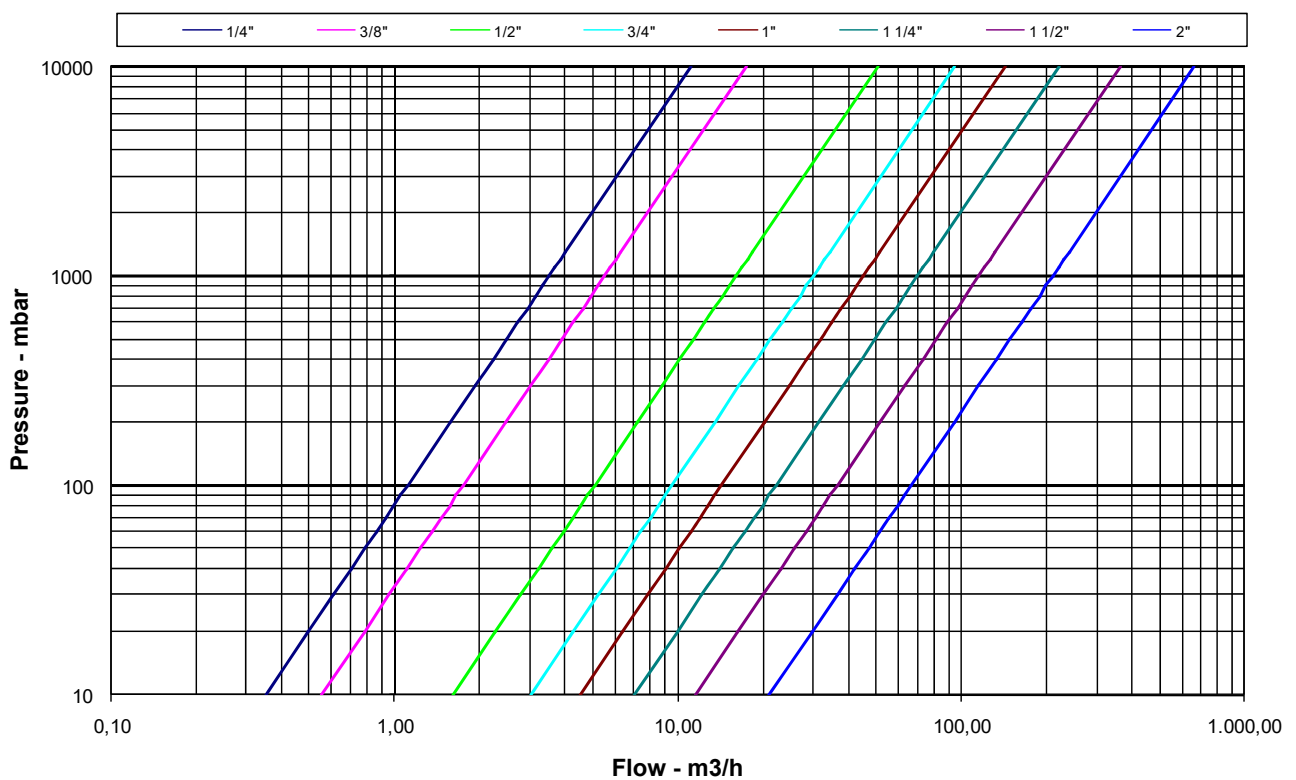


Kv Values

Kv: Water in cubic meters per hour (m³/h) generating a 1 bar pressure drop across the valve.

Medida / Size	1/4"	3/8"	1/2"	3/4"	1"	1 1/4"	1 1/2"	2"
Kv	3.5	5.5	16	30	45	70	115	210

Head Loss Chart Threaded Full Bore Ball Valves





Pressure/Temperature Rating

