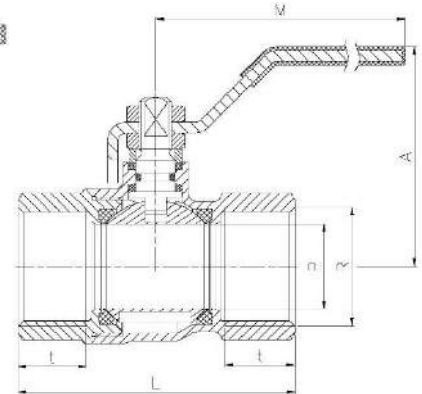
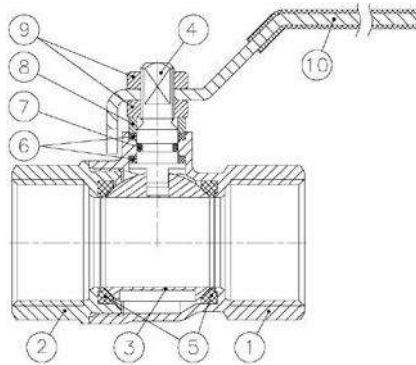


Art3020 2-Piece Full Bore Brass Ball Valve

Features

1. Ball valve with full bore.
2. Brass construction acc/ to UNE-EN 12165 chrome plated.
3. Gas (BSP) threaded female-female (F-F) ends according to ISO 228/1.
4. Working by means of steel lever handle.
5. Working temperature from -20°C to 110°C.
6. Maximum working pressure 40 bar (PN 40).
7. PTFE Seats.
8. Approved product WRAS.



Nº	Name	Material	Surface Treatment
1	Body	Brass (CW617N)	Peened + Chromed
2	Cap	Brass (CW617N)	Peened + Chromed
3	Ball	Brass (CW617N)	Chrome Plated
4	Stem	Brass (CW617N)	Chrome Plated
5	Ball Seats	PTFE	
6	Stem Packing	PTFE	
7	O-Ring	NBR	
8	Stem Ring	Brass	Chrome Plated
9	Nut	Brass	Chrome Plated
10	Handle	Steel	Dacromet

Ref	Size	DN	P	Dimensions (mm)				Weight (Kg)
				A	L	M	t	
3020 02	1/4"	10	10	45	48	84	11.5	0,130
3020 03	3/8"	10	10	45	50	84	12.5	0,130
3020 04	1/2"	15	14	47	58	84	15.5	0,174
3020 05	3/4"	20	19	58	65	98	16.5	0,288
3020 06	1"	25	24	61	78	98	19.5	0,432
3020 07	1 1/4"	32	30,5	74	88	126	20	0,706
3020 08	1 1/2"	40	37,5	80	105	126	23.5	0,983
3020 09	2"	50	47	91	122	158	25.5	1,508
3020 10	2" 1/2"	65	58,5	96	140	160	27.5	2,467
3020 11	3"	80	72	118	163	196	30	3,900
3020 12	4"	100	90	133	190	266	33	6,183

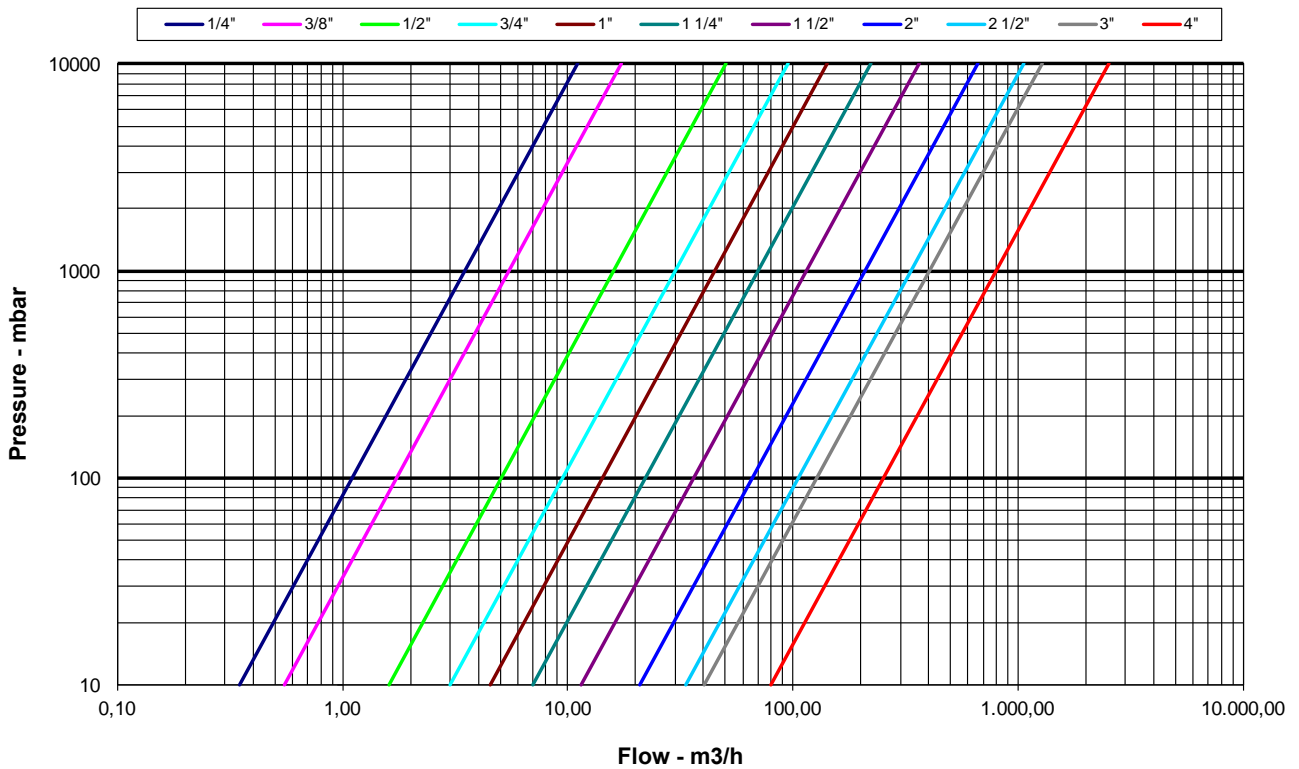


Kv Values

Kv: Water in cubic meters per hour (m³/h) generating a 1 bar pressure drop across the valve.

Size	1/4"	3/8"	1/2"	3/4"	1"	1 1/4"	1 1/2"	2"	2 1/2"	3"	4"
Kv	3.5	5.5	16	30	45	70	115	210	335	405	800

Head Loss Chart Threaded Full Bore Ball Valves





Pressure/Temperature Rating

