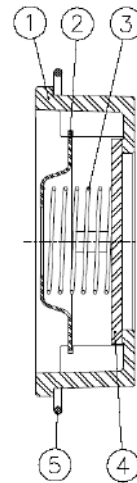
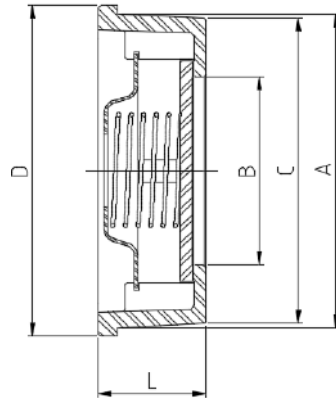


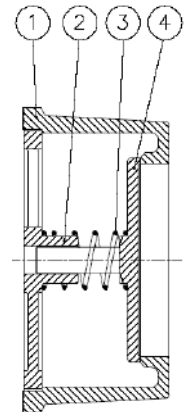
Art2415 Single Disk Wafer Check Valve

Features

1. Wafer check valve, single disk.
2. Made of stainless steel 1.4408 (CF8M).
3. Disk made of stainless steel 1.4408 (CF8M).
4. Spring made of AISI 316.
5. Small dimensions.
6. Assembly between flanges EN 1092 PN10/16/25/40 and ANSI 150/300.
7. Installed with vertical, horizontal or inclined flow.
8. Centering Ring.
8. Face to Face according to EN 558-1 S.49.
9. Max. Working pressure 40/25 bar (see table).
10. Low head loss.
11. Working Temperature -20°C +240°C.



DN15-DN100



DN125-DN200

N°	Name	Material	Surface Treatment	Spare Part Code
1	Body	Stainless Steel 1.4408	Shot Blasting	
2	Spring Support	Stainless Steel 316		
3*	Spring	Stainless Steel 316		K2415
4	Disk	Stainless Steel 1.4408	Polishing	
5	Centering Ring (1/2" - 4")	Stainless Steel		K2415

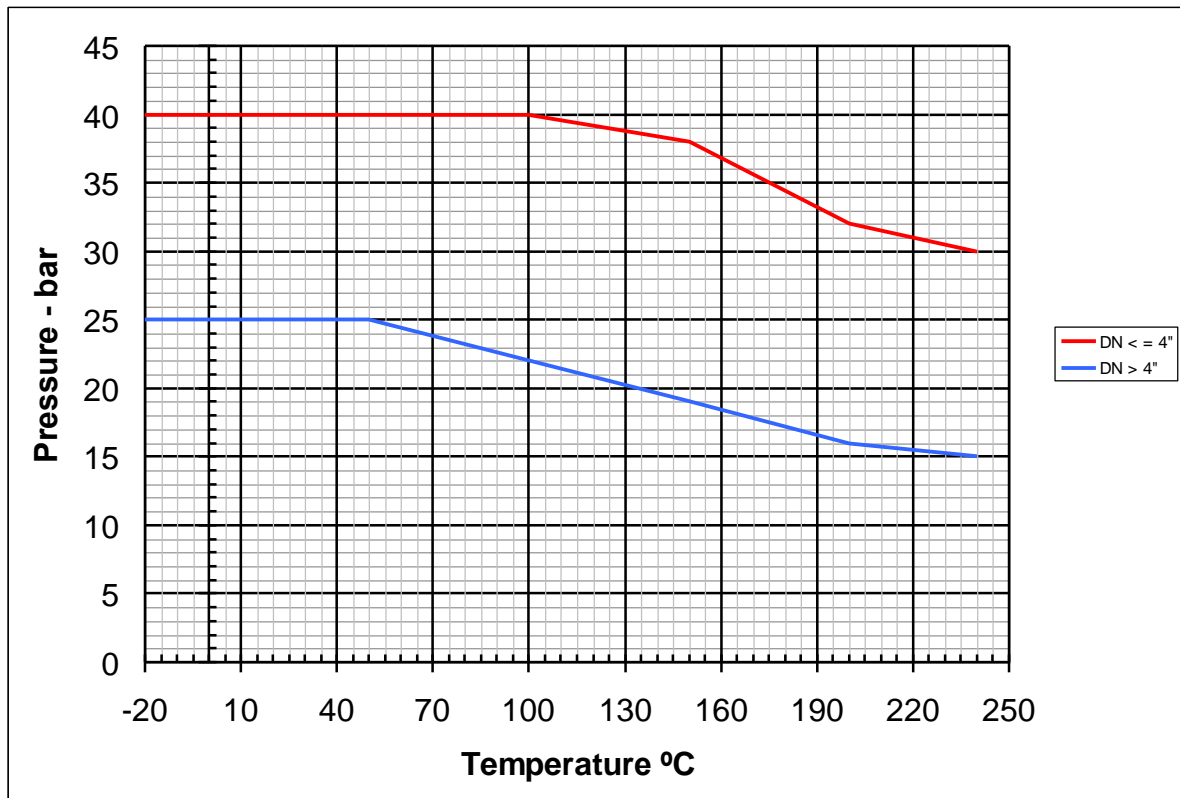
*Spare parts available



General Dimensions

Ref	Size	DN	PN	Dimensions (mm)					Weight (Kg)
				D	A	B	C	L	
2415 04	1/2"	15	40	39	34	15	33	16	0,085
2415 05	3/4"	20	40	46	41	20	40	19	0,122
2415 06	1"	25	40	54	49	25	47,5	22	0,198
2415 07	1 1/4"	32	40	70	62	32	59,5	28	0,380
2415 08	1 1/2"	40	40	81	71	40	68	32	0,520
2415 09	2"	50	40	94	85	48	81,5	40	0,775
2415 10	2 1/2"	65	40	113	102	62	97	46	1,240
2415 11	3"	80	40	132	123	75	117,5	50	1,865
2415 12	4"	100	40	150	140	95	134,5	60	2,650
2415 13	5"	125	25	187	177	118	169	90	5,500
2415 14	6"	150	25	217	205	140	196	106	8,300
2415 16	8"	200	25	274	261	185	245,5	140	16,100

Pressure/Temperature Rating



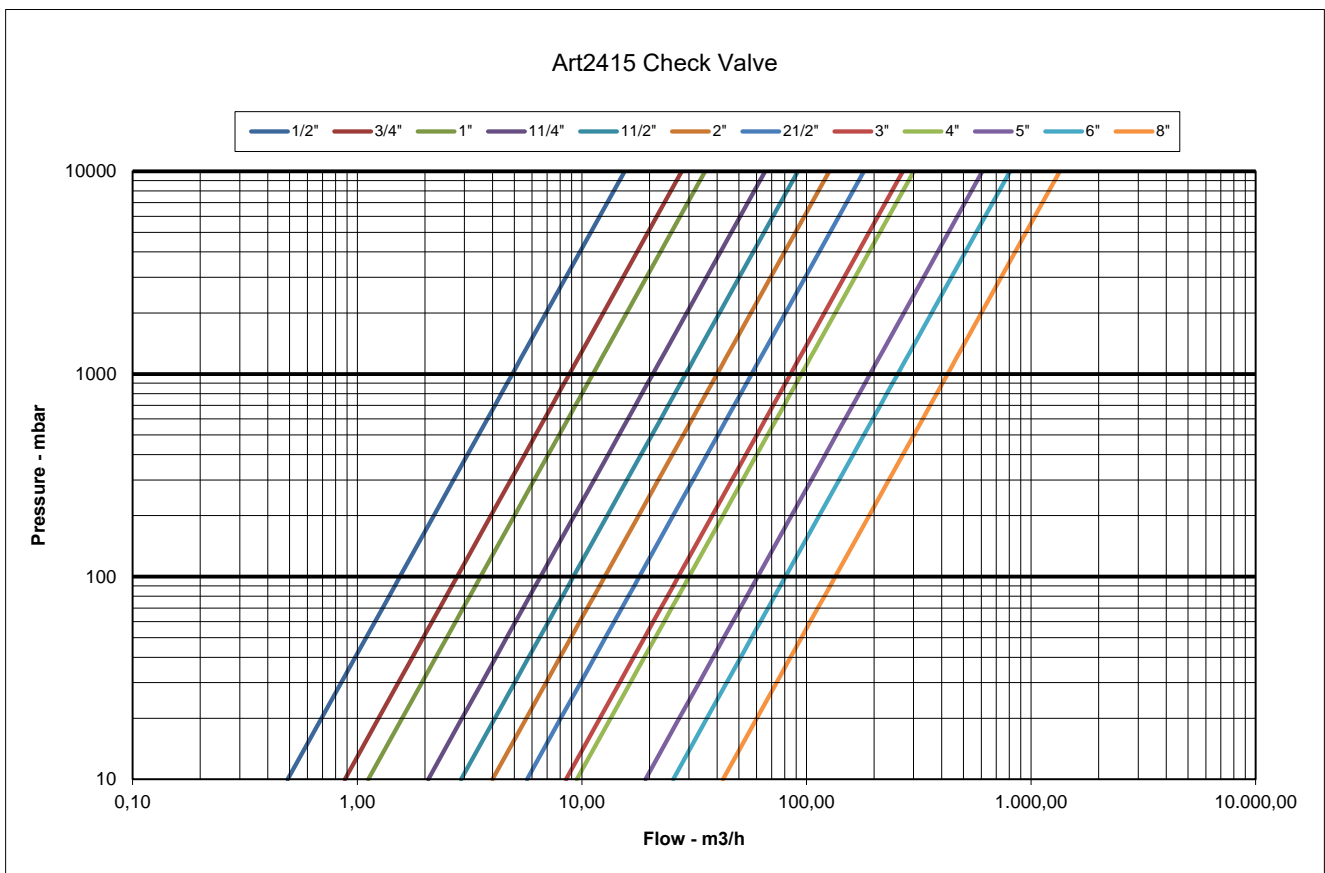


Kv Values

Kv: Water flow rate in cubic meter per hour (m3/h) generating a 1 bar pressure drop across the valve.

1/2" DN15	3/4" DN20	1" DN25	1 1/4" DN32	1 1/2" DN40	2" DN50	2 1/2" DN65	3" DN80	4" DN100	5" DN125	6" DN150	8" DN200
4.9	8.8	11.2	20.7	29	40	57	85	95	192	255	425

Head Loss Chart



Opening Pressure - mbar

Flow	DN15 - DN65	DN80 - DN100	DN125 - DN200
↑ → ↓	24 ~ 30	20 ~ 26	30 ~ 36