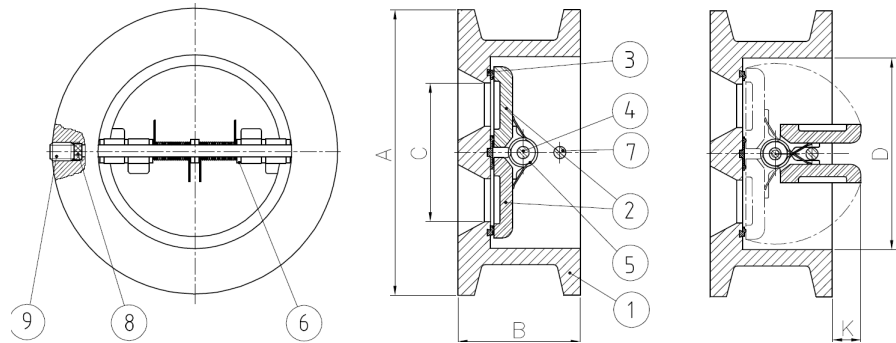


## Art2401 Cast Iron Double Disk Wafer Check Valve

### Features

1. Wafer check valve (double disk).
2. Made of Cast Iron EN-GJL-250 (GG-25).
3. Disk made of Stainless Steel 1.4408 (CF8M).
4. Axle and spring made of AISI 316.
5. Seat of NBR vulcanised in groove.
6. Assembly between flanges EN 1092 PN10/16 and ANSI 150.
7. Installed in vertical, horizontal or inclined position.
8. Face to Face according to EN 558-1.
9. Max. working pressure 16 bar.
10. Working temperature -10 °C +100 °C.



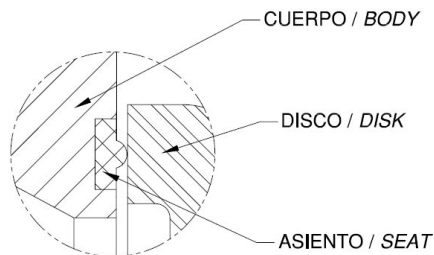
N°	Name	Material	Surface Treatment	Spare Part Code
1	Body	Cast Iron EN-GJL-250	Epoxy Painted	
2	Disk	Stainless Steel 1.4408	Shot Blasting	
3	Seat	NBR		
4	Axle	Stainless Steel 316		
5*	Spring	Stainless Steel 316		K2401
6*	Washer	PTFE		K2401
7	Disk Stopper	Stainless Steel 316		
8*	Plug	NBR		K2401
9*	Grub Screw	Stainless Steel 304		K2401

\*Spare parts available

## General Dimensions

Ref	Medida / Size	DN	PN	Dimensiones / Dimensions (mm)					Peso / Weight (Kg)
				A	B	C	D	K	
2401 09	2 "	50	16	101	54	48	66	5	1.500
2401 10	2 1/2 "	65	16	119	54	59	80	11	2.050
2401 11	3 "	80	16	133	57	72	95	11	2.700
2401 12	4 "	100	16	164	64	90	117	24	4.100
2401 13	5 "	125	16	194	70	110	145	34	6.450
2401 14	6 "	150	16	220	76	135	170	43	8.200
2401 16	8 "	200	16	275	95	175	224	67	15.800
2401 18	10 "	250	16	328	108	215	255	80	23.500
2401 20	12 "	300	16	378	143	254	302	96	42.500

## Seat Detail



## Minimum Opening Pressure

FLOW	Aplication	Pressure	2"	2 1/2"	3"	4"	5"	6"	8"	10"	12"
	with spring	mbar	22,8	22,8	22,8	24	24,5	24,7	25,4	26,6	27,3
	with spring	mbar	22,4	22,4	22,4	23,5	24	24,1	24,7	25,8	26,4
	with spring	mbar	22	22	22	23	23,5	23,5	24	25	25,5
	without spring	mbar	0,4	0,4	0,4	0,5	0,5	0,6	0,7	0,8	0,9

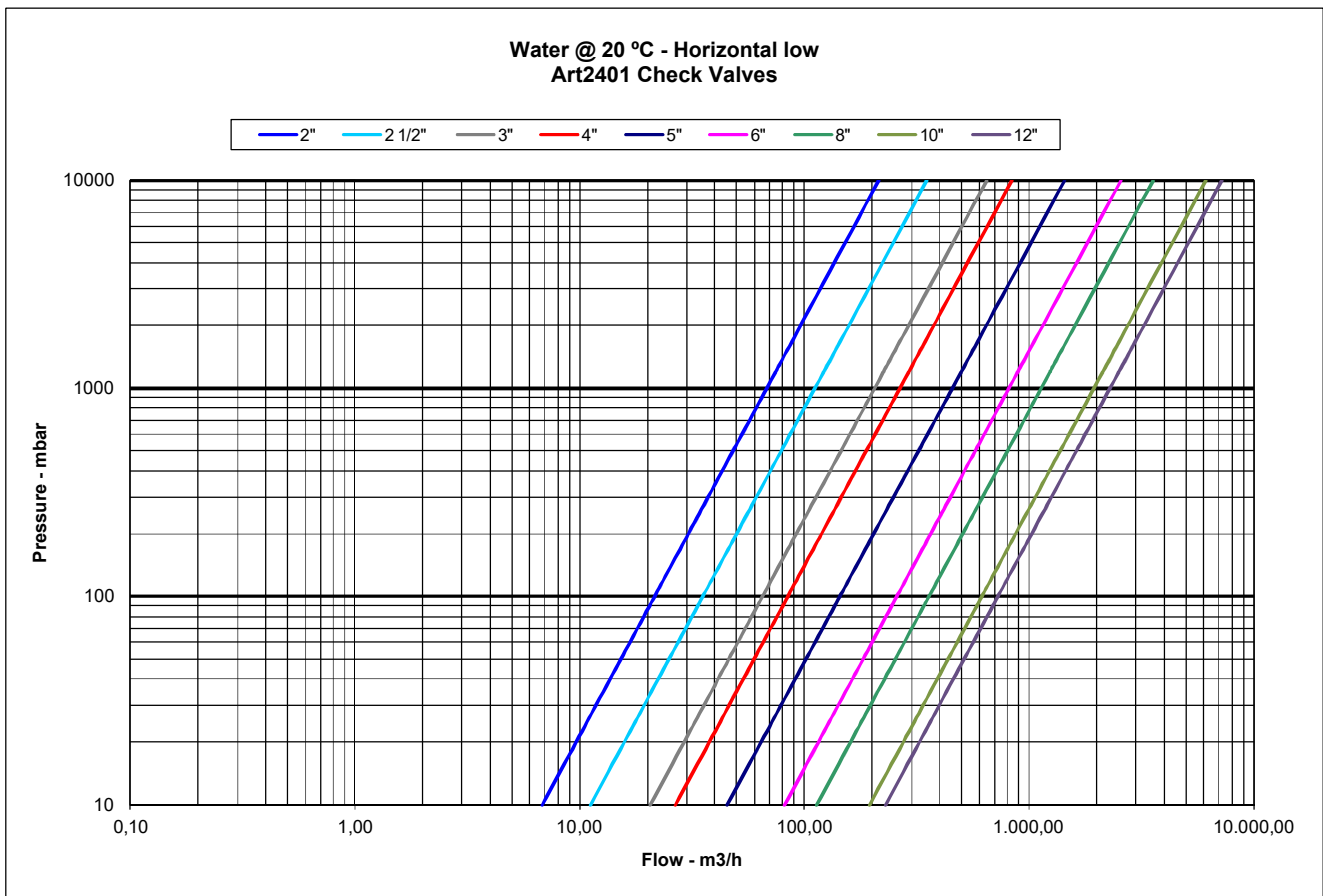


### Kv Values

Kv: Water flow rate in cubic meter per hour generating a 1 bar pressure drop across the valve.

D	Inch	2"	2 1/2"	3"	4"	5"	6"	8"	10"	12"
Kv	m3/h	68	111	206	266	455	813	1132	1950	2300

### Head Loss Diagram



## Pressure/Temperature Rating

