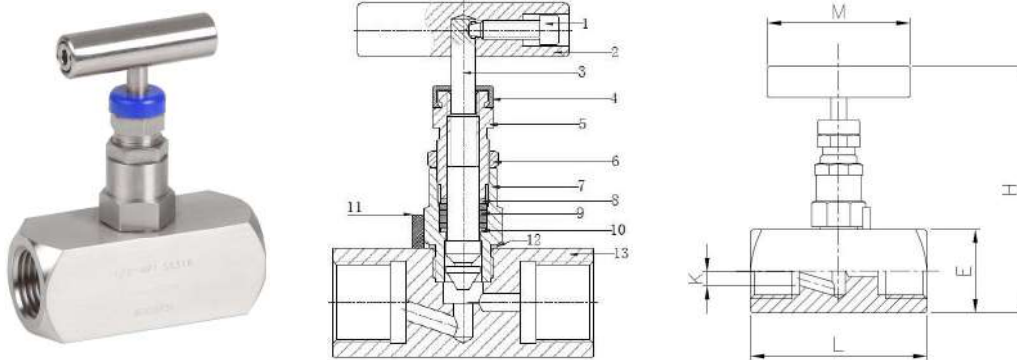


Art2225 Stainless Steel Needle Valve

Features

1. Needle valve.
2. Made of Stainless steel ASTM A479-04 (grade 316).
3. Threaded ends female acc. to ISO 228/1.
4. Max. Working pressure 6000 psi at 38°C.
5. Working Temperature – 54 to 232 °C.
6. Safety bonnet lock prevents accidental loosening.
7. Back seating design protects the packing in fully open position.

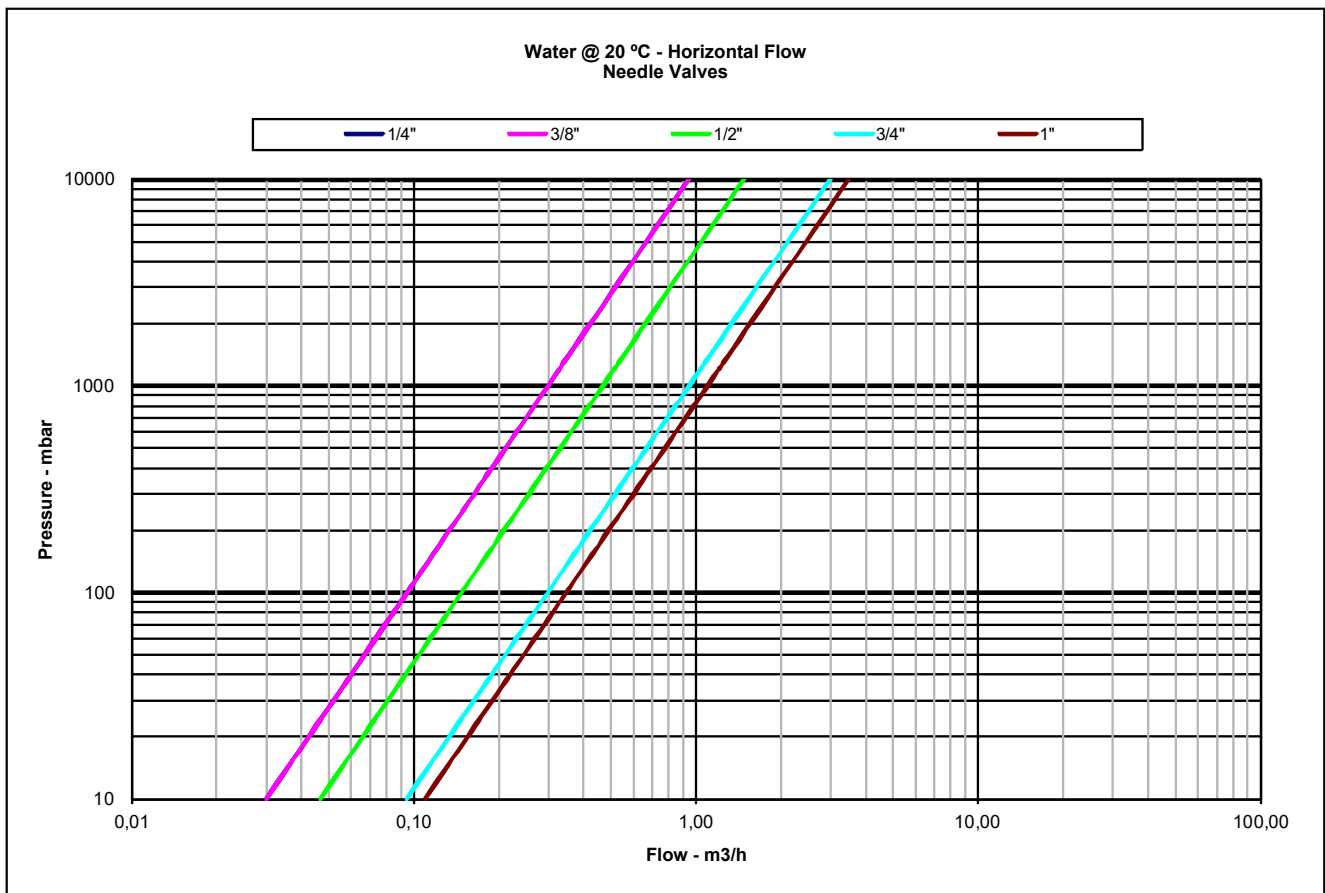


N°	Name	Material	Surface Treatment
1	Handle Grub Screw	Stainless Steel 316	
2	Handle	Stainless Steel 316	
3	Stem Shaft	Stainless Steel 316	Nitrogen Treatment
4	Dust Cap	Plastic	
5	Packing Nut	Stainless Steel 316	
6	Lock Nut	Stainless Steel 316	
7	Bonnet	Stainless Steel 316	
8	Washer	Stainless Steel 316	
9	Stem Packing	PTFE + Graphite	
10	Washer	Stainless Steel 316	
11	Lock Pin	Stainless Steel 316	
12	O-Ring	FKM	
13	Body	ASTM A479-04 (Grade 316)	

General Dimensions

Ref	Size	PN (psi)	Dimensions (mm)					Weight (Kg)
			E	H	L	M	K	
2225 02	1/4"	6000	25.5	90	61	55	4	0,365
2225 03	3/8"	6000	25.5	90	61	55	4	0,355
2225 04	1/2"	6000	28.5	92	68	55	5	0,440
2225 05	3/4"	6000	38	98	76	55	6	0,800
2225 06	1"	6000	44.5	108	85	55	8	1,120

Head Loss Chart



Kv Values

Kv: Water flow rate in cubic meter per hour (m³/h) that generates a 1 bar pressure drop across the valve.

Size	1/4"	3/8"	1/2"	3/4"	1"
m ³ /h	0.30	0.30	0.63	0.73	1.40

Pressure/Temperature Rating

