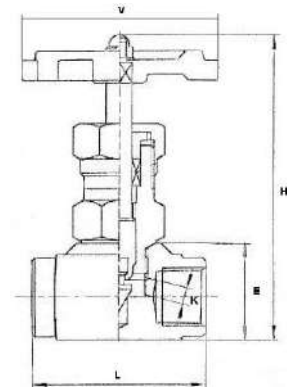
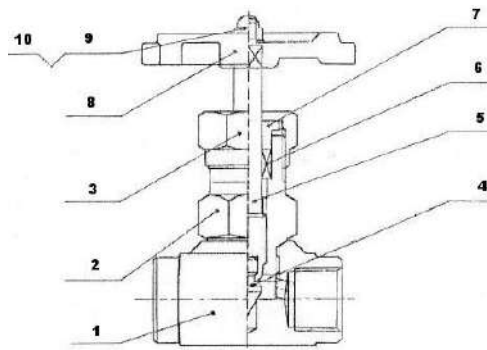


Art2224 Stainless Steel Needle Valve

Features

1. Needle valve.
2. Made of Stainless steel:
 Sizes $\leq 1"$: ASTM A479-04 (grade 316).
 Sizes $\geq 1 \frac{1}{4}"$: ASTM A182 F316.
3. Threaded ends according to ASME B1.20.1 (NPT).
4. Stem Packing PTFE + Graphite.
5. Max. Working pressure 3000 Lbs.
6. Pressure / Temperature Range:
 $1/4"-1/2" = 3000 \text{ PSI} / 260 \text{ }^\circ\text{C}$.
 $3/4"-1 \frac{1}{4}" = 3000 \text{ PSI} / 240 \text{ }^\circ\text{C}$.
 $1 \frac{1}{2}" - 2" = 3000 \text{ PSI} / 200 \text{ }^\circ\text{C}$



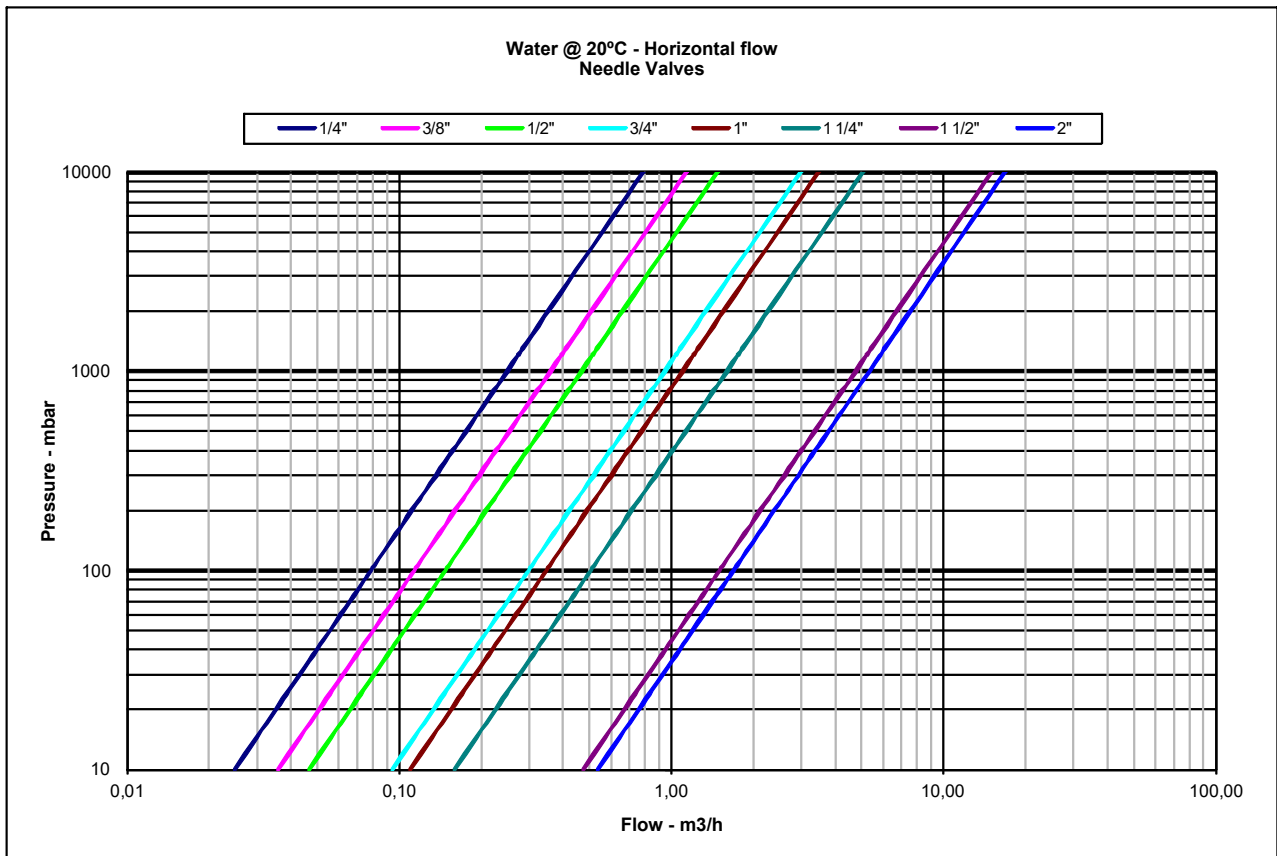
N°	Name	Material	Surface Treatment
1	Body	Stainless Steel 316	
2	Bonnet	Stainless Steel 316	
3	Nut	Stainless Steel 316	
4	Needle	Stainless Steel A182 F6	Nitrogen Treatment
5	Stem	Stainless Steel A182 F6	
6	Stem Packing	PTFE + Graphite	
7	Packing Nut	Stainless Steel 316	
8	Handwheel	Cast Iron	Painted
9	Nut	Stainless Steel 304	
10	Washer	Stainless Steel 304	



General Dimensions

Ref	Size	PN (Lbs)	Dimensions (mm)					Weight (Kg)
			E	H	L	K	V	
2224 02	1/4"	3000	25	85	50	3	63	0.260
2224 03	3/8"	3000	30	100	55	4	63	0.360
2224 04	1/2"	3000	34	115	60	6	72	0.530
2224 05	3/4"	3000	40	120	70	8	72	0.760
2224 06	1"	3000	45	138	75	9	80	1.175
2224 07	1 1/4"	3000	57	165	90	11	100	1.850
2224 08	1 1/2"	3000	67	185	100	15	120	2.900
2224 09	2"	3000	78	195	120	18	140	4.700

Head Loss Diagram





Kv Values

Kv: Water flow rate in cubic meter per hour that generates a 1 bar pressure drop across the valve.

Size	1/4"	3/8"	1/2"	3/4"	1"	1 1/4"	1 1/2"	2"
m ³ /h	0.25	0.36	0.47	0.95	1.1	1.6	4.76	5.36

Pressure/Temperature Rating

