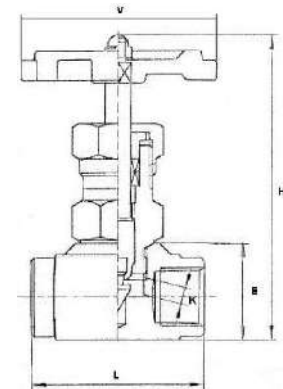
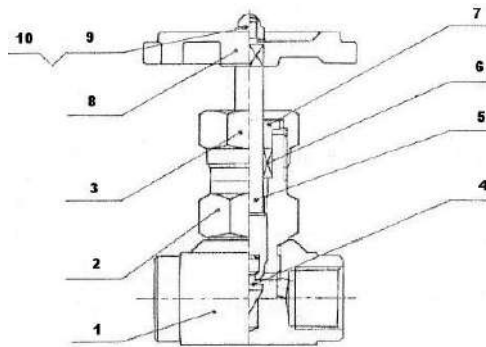


## Art2223 Stainless Steel Needle Valve

### Features

1. Needle valve.
2. Made of Stainless steel:  
 Sizes  $\leq 1"$ : ASTM A479-04 (grade 316).  
 Sizes  $\geq 1 \frac{1}{4}"$ : ASTM A182 F316.
3. Threaded ends female according to ISO 228/1.
4. Stem Packing PTFE + Graphite.
5. Max. Working pressure 3000 psi.
6. Pressure / Temperature Range:  
 $1/4"-1/2" = 3000 \text{ psi} / 260 \text{ }^\circ\text{C}$ .  
 $3/4"-1 \frac{1}{4}" = 3000 \text{ psi} / 240 \text{ }^\circ\text{C}$ .  
 $1 \frac{1}{2}" - 2" = 3000 \text{ psi} / 200 \text{ }^\circ\text{C}$ .

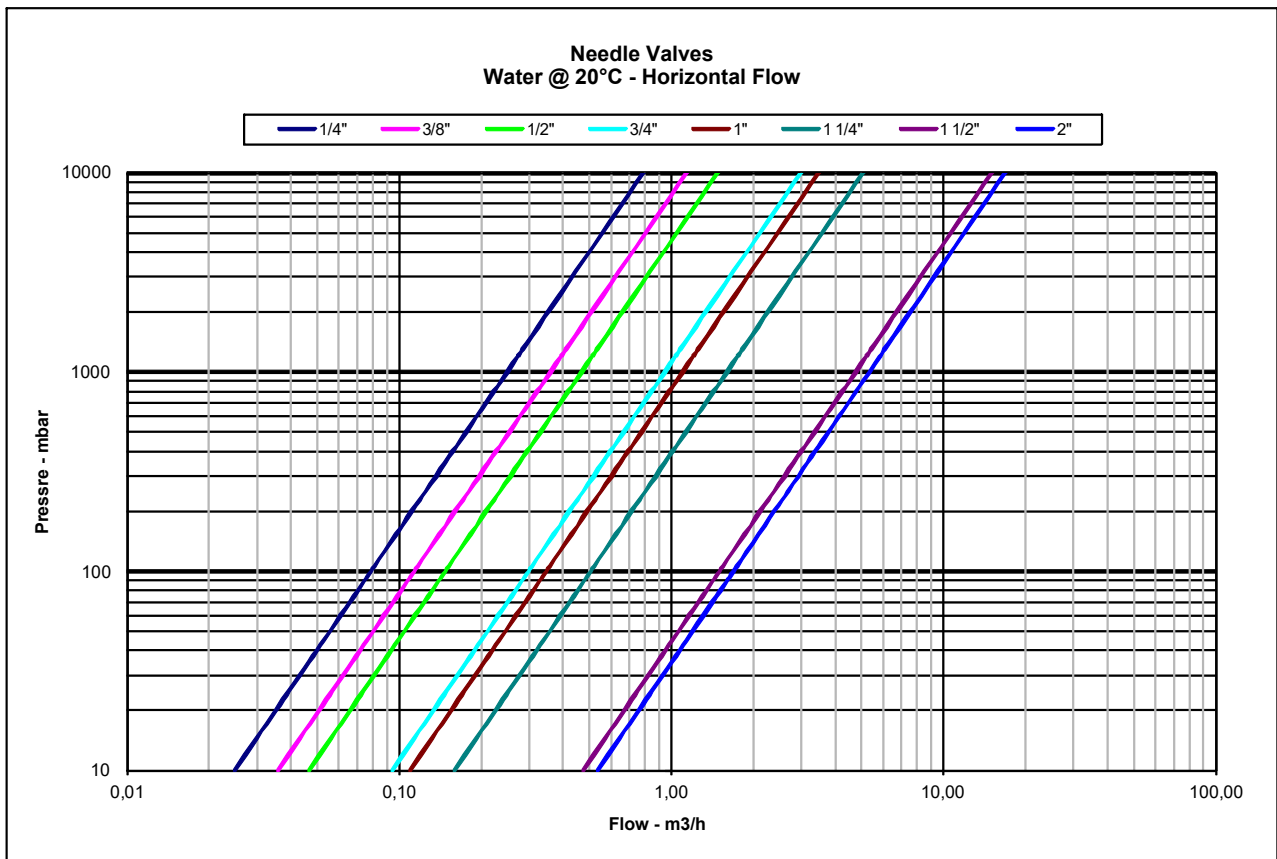


N°	Name	Material	Surface Treatment
1	Body	Stainless Steel 316	
2	Bonnet	Stainless Steel 316	
3	Nut	Stainless Steel 316	
4	Needle	Stainless Steel A182 F6	Nitrogen Treatment
5	Stem	Stainless Steel A182 F6	
6	Stem Packing	PTFE + Graphite	
7	Packing Nut	Stainless Steel 316	
8	Handwheel	Cast Iron	Painted
9	Nut	Stainless Steel 304	
10	Washer	Stainless Steel 304	

## General Dimensions

Ref	Size	PN (psi)	Dimensions (mm)					Weight (Kg)
			E	H	L	K	V	
2223 02	1/4"	3000	25	85	50	3	63	0.260
2223 03	3/8"	3000	30	100	55	4	63	0.360
2223 04	1/2"	3000	34	115	60	6	72	0.530
2223 05	3/4"	3000	40	120	70	8	72	0.760
2223 06	1"	3000	45	138	75	9	80	1.175
2223 07	1 1/4"	3000	57	165	90	11	100	1.850
2223 08	1 1/2"	3000	67	185	100	15	120	2.900
2223 09	2"	3000	78	195	120	18	140	4.700

## Head Loss Diagram





### Kv Values

Kv: Water flow rate in cubic meter per hour that will generate a 1 bar pressure drop across the valve.

Size	1/4"	3/8"	1/2"	3/4"	1"	1 1/4"	1 1/2"	2"
m <sup>3</sup> /h	0.25	0.36	0.47	0.95	1.1	1.6	4.76	5.36

### Pressure/Temperature Rating

