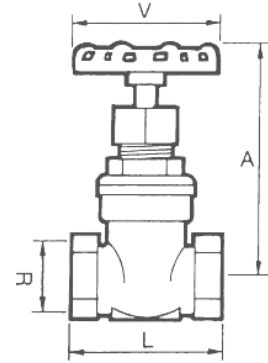
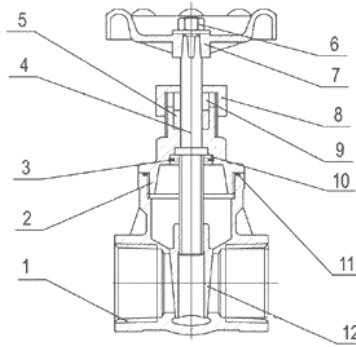


GENEBRE

Art - 2220 Stainless Steel Threaded Gate Valve

Features

1. Gate valve.
2. Made of Stainless Steel 1.4408 (CF8M).
3. Compact disc made by 1.4408 (CF8M).
4. Non-rising stem.
5. Threaded ends acc. to ISO 7-1 (EN 10226-1).
6. Stem Packing PTFE.
7. Max. Working pressure 16 bar.
8. Working temperature -30°C / 180 °C.



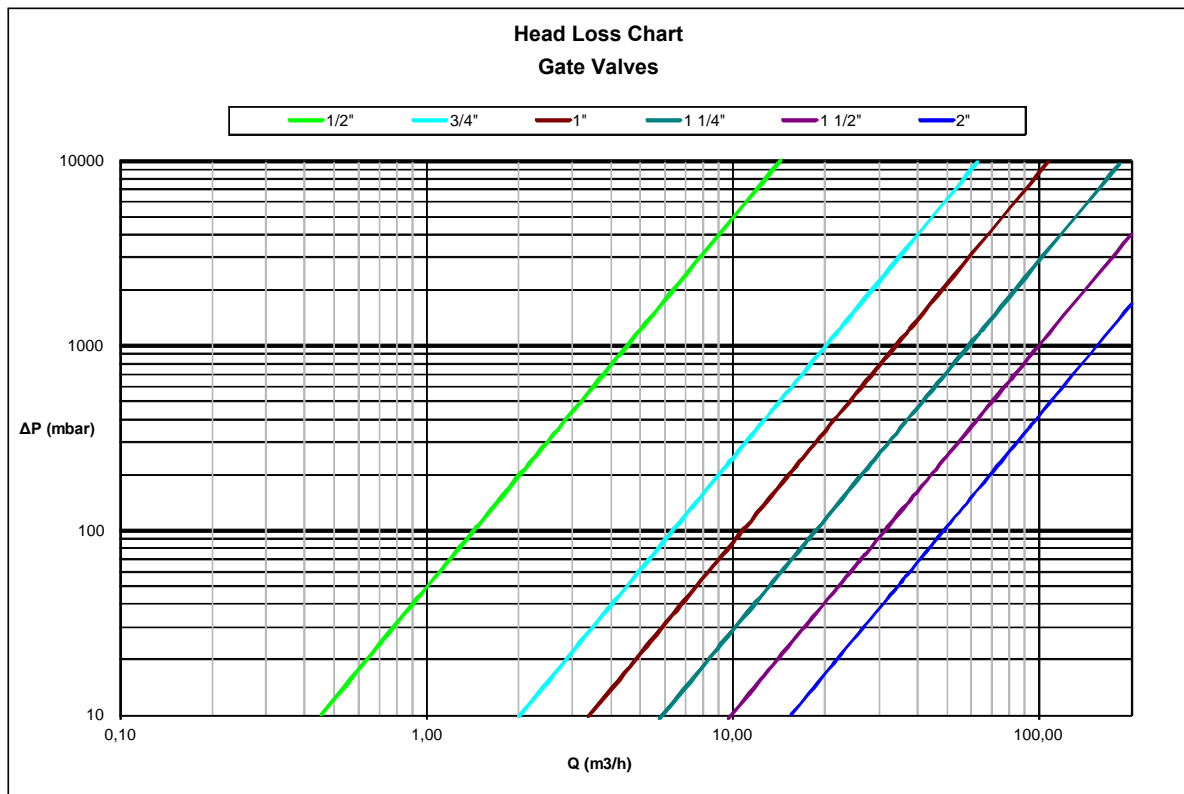
N°	Name	Material	Surface Treatment
1	Body	Stainless Steel 1.4408	Shot Blasting
2	Bonnet	Stainless Steel 1.4408	Shot Blasting
3	Washer	Stainless Steel 304	
4	Stem	Stainless Steel 316	
5	Stem Packing	PTFE	
6	Nut	Stainless Steel 304	
7	Handwheel	Aluminium	Painted
8	Packing Nut	Stainless Steel 1.4408	
9	Stem Packing	Stainless Steel 316	
10	Lock Nut	Stainless Steel 316	
11	Body Gasket	PTFE	
12	Wedge	Stainless Steel 1.4408	Shot Blasting

General Dimensions

Ref	Size	PN	Dimensions (mm)				Weight (Kg)
			R	A	L	V	
2220 04	1/2"	16	1/2"	100	55	70	0.414
2220 05	3/4"	16	3/4"	110	61	70	0.578
2220 06	1"	16	1"	115	68	70	0.740
2220 07	1 1/4"	16	1 1/4"	130	77	80	0.995
2220 08	1 1/2"	16	1 1/2"	150	80	100	1.550
2220 09	2"	16	2"	167	93	100	2.150

Head Loss Diagram

(H2O / 20°C Horizontal flow)





Kv Values

Kv: Flow rate of water in cubic meter per hour (m³/h) that will generate a pressure drop of 1 bar across the valve

Size	1/2"	3/4"	1"	1 1/4"	1 1/2"	2"
m ³ /h	4,5	20	34	60	102	161

Pressure/Temperature Rating

