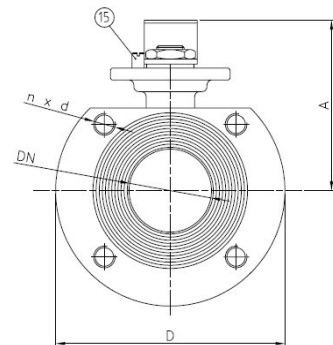
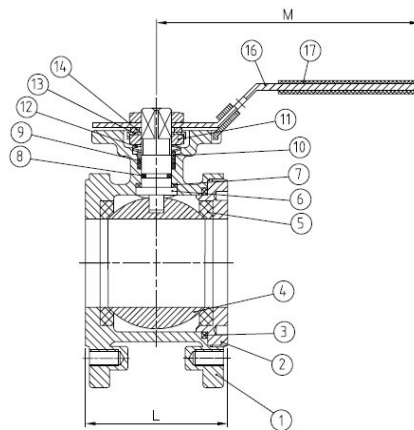


## Art2118 Stainless Steel Wafer Ball Valve

### Features

1. Full port ball valve, Wafer type.
2. Assembly between flanges EN 1092 PN16.
3. Made of stainless steel 1.4408 (CF8M).
4. Ball seats PTFE + 15 % FG.  
(please ask for other materials)
5. O'ring in the stem FKM (Viton).
6. Blow – out proof stem.
7. Direct mounting actuator acc. to ISO 5211.
8. Block System included.
9. Max. Working pressure 16 bar.
10. Working Temperature  $-20\text{ }^{\circ}\text{C} + 180\text{ }^{\circ}\text{C}$ .

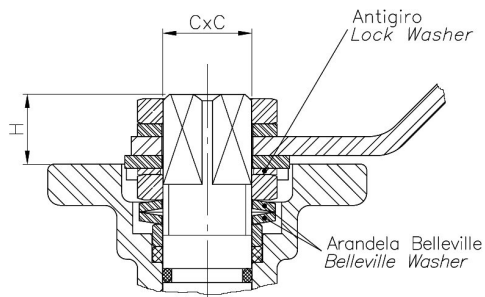


N°	Name	Material	Surface Treatment	Spare Part Code
1	Body	Stainless Steel 1.4408	Shot Blasting + Pickling	
2	Plug	Stainless Steel 1.4408	Shot Blasting + Pickling	
3*	Gasket	PTFE		2818
4	Ball	Stainless Steel 1.4408		
5*	Ball Seat	PTFE + 15 % Graphite		2818
6	Stem	Stainless Steel 316		
7*	Thrust Washer	PTFE		2818
8*	O-Ring	FKM		2818
9*	Packing	PTFE		2818
10	Gland	Stainless Steel 304		

11	Nut	Stainless Steel 304		
12	Spring Washer	Stainless Steel 304		
13	Lock Washer	Stainless Steel 304		
14	Washer	Stainless Steel 304		
15	Stop Pin	Stainless Steel 304		
16	Handle	Stainless Steel 304		
17	Plastic Cover	Vinyl		

\*Available spare parts

## Stem Detail



### Lock Washer

Prevents unthreading of stem nut in high cycle automation applications.

### Belleville Washer

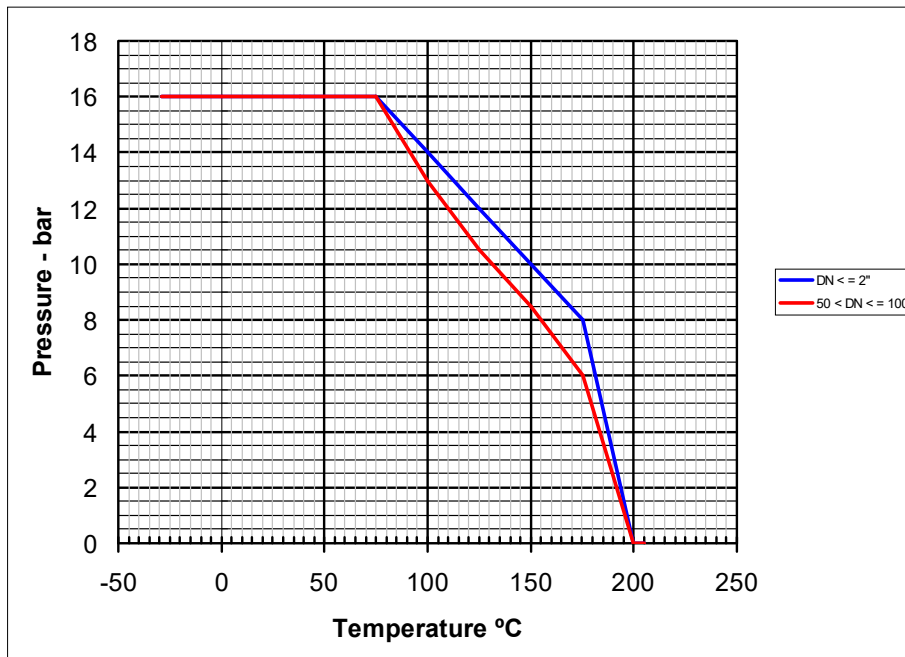
Belleville washers provide constant "live load" on the stem seals, assuring a tight seal even varying service parameters.

## General Dimensions

Ref	DN	PN	Assembly Holes (n x d)	Dimensions (mm)				Weight (Kg)
				D	A	L	M	
2118 04	15	16	4 x M12	95	85	36	115	1,700
2118 05	20	16	4 x M12	105	90	38	115	1,900
2118 06	25	16	4 x M12	115	95	50	170	2,500
2118 07	32	16	4 x M16	140	100	53	170	3,500
2118 08	40	16	4 x M16	150	105	65	210	4,350
2118 09	50	16	4 x M16	165	115	78	210	5,450
2118 10	65	16	4 x M16	185	130	98	260	7,800
2118 11	80	16	8 x M16	200	145	118	260	10,300
2118 12	100	16	8 x M16	220	175	140	260	18,000

Ref	Size	PN	Dimensions (mm)		
			H	C x C	ISO 5211
2118 04	1/2"	16	10	9 x 9	F03 / F04
2118 05	3/4"	16	10	9 x 9	F03 / F04
2118 06	1"	16	10	11 x 11	F04 / F05
2118 07	1 ¼"	16	12.5	11 x 11	F04 / F05
2118 08	1 ½"	16	14.5	14 x 14	F05 / F07
2118 09	2"	16	14	14 x 14	F05 / F07
2118 10	2 ½"	16	17	17 x 17	F07 / F10
2118 11	3"	16	16	17 x 17	F07 / F10
2118 12	4"	16	19	17 x 17	F07 / F10

## Pressure/Temperature Rating



## Kv Values

Kv: Water flow rate in cubic meter per hour (m<sup>3</sup>/h) that generates a 1 bar pressure drop across the valve.

1/2"	3/4"	1"	1 ¼"	1 ½"	2"	2 ½"	3"	4"
24	43	83	130	205	340	520	1100	1820