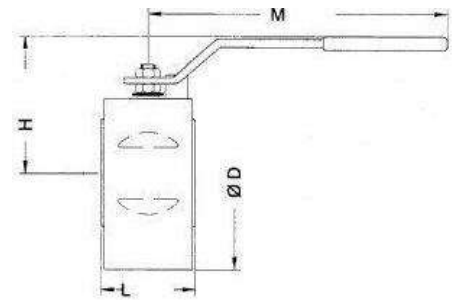
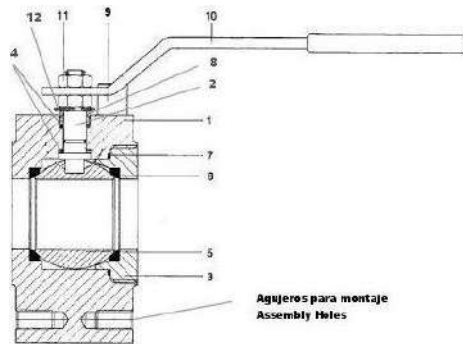


Art2110 Stainless Steel PN16 Wafer Ball Valve

Features

1. Full port ball valve, Wafer type.
2. Assembly between flanges EN 1092 PN16.
3. Made of Stainless Steel ASTM A182 F316.
4. Ball seats and Gasket PTFE.
5. Max. working pressure 16 bar.
- 6 Working Temperature $-20\text{ }^{\circ}\text{C} + 180\text{ }^{\circ}\text{C}$.



Nº	Name	Material	Surface Treatment	Spare Part Code
1	Body	ASTM A182 F316		
2*	Stem	ASTM A182 F316		I2110
3	Plug	ASTM A182 F316		
4*	Washer	PTFE		2925
5*	Ball	ASTM A182 F316		2807
6*	Ball Seat	PTFE		2925
7*	Gasket	PTFE		2925
8	Stem Packing	Stainless Steel 304		
9	Stopper	Steel	Zinc Plated	
10	Handle	Steel	Zinc Plated	
11	Nut	Steel	Zinc Plated	
12	Spring Washer	Steel for Springs	Zinc Plated	

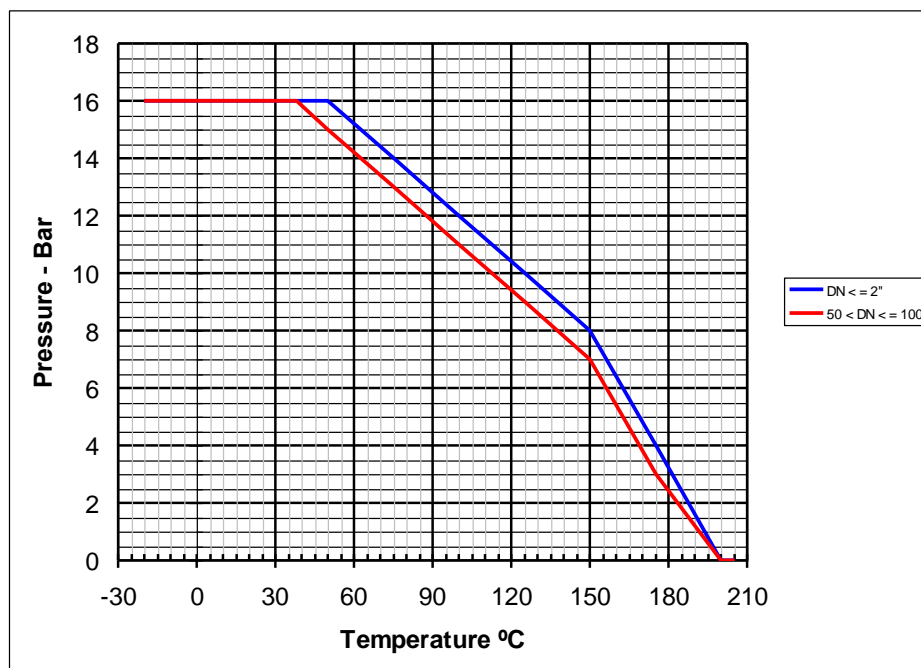
*Spare parts available.



General Dimensions

Ref	Size	PN	Assembly Holes	Dimensions (mm)				Weight (Kg)
				D	H	L	M	
2110 04	1/2"	16	4 x M12	88	90	32	130	1.40
2110 05	3/4"	16	4 x M12	98	90	42	180	2.20
2110 06	1"	16	4 x M12	108	90	45	180	2.75
2110 07	1 ¼"	16	4 x M16	128	110	54	270	4.64
2110 08	1 ½"	16	4 x M16	138	110	65	280	6.35
2110 09	2"	16	4 x M16	148	125	72	280	7.90
2110 10	2 ½"	16	4 x M16	175	150	98	360	13.90
2110 11	3"	16	8 x M16	188	160	118	360	20.90
2110 12	4"	16	8 x M16	210	180	140	470	31.30

Pressure/Temperature Rating



Kv Values

Kv: Water flow rate in cubic meter per hour (m³/h) that will generate a 1 bar pressure drop across the valve.

1/2"	3/4"	1"	1 ¼"	1 ½"	2"	2 ½"	3"	4"
24	43	83	130	205	340	520	1100	1820