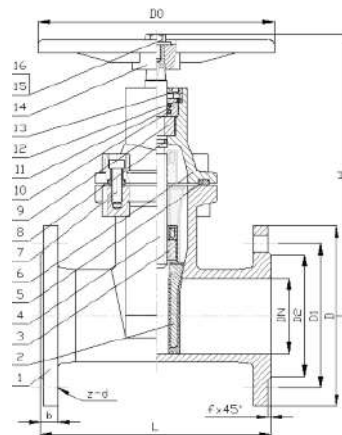


Art2102 Ductile Iron Gate Valve (PN16 Flanged)

Features

1. Gate valve with elastic closing.
2. Made by Ductile Iron EN-GJS-500 (GGG-50).
3. Wedge coated EPDM.
4. Non-rising stem.
5. Clockwise for close valve.
6. Design according to DIN 3352.
7. Face to Face according DIN 3202 F4.
8. Flanges end according DIN 2501 PN 16.
9. Suitable medium: Water.
10. Full Port, minimum head losses.
11. Bidirectional installation.
12. Reduced torque.
13. Inside & Outside with Epoxy coating.
14. Max. Working temp. 80°C.



| Nº | Name | Material | Surface Treatment |
|----|-------------|--------------------------------|-------------------|
| 1 | Body | Ductile Iron EN-GJS-500 | Epoxy Coated |
| 2 | Wedge Body | Ductile Iron EN-GJS-400 + EPDM | |
| 3 | Stem Nut | Brass | |
| 4 | Stem | Stainless Steel 410 | |
| 5 | Body Gasket | EPDM | |

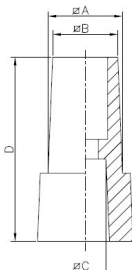
GENEBRE

| Nº | Name | Material | Surface Treatment |
|----|----------------|-------------------------|-------------------|
| 6 | Bonnet | Ductile Iron EN-GJS-500 | Epoxy Coated |
| 7 | Screw | Carbon Steel | |
| 8 | O-Ring | EPDM | |
| 9 | Locating Ring | Stainless Steel | |
| 10 | O-Ring | EPDM | |
| 11 | Packing Nut | Brass | |
| 12 | Washer | Nylon | |
| 13 | Anti-Dust Ring | ABS Plastic | |
| 14 | Handwheel | Carbon Steel | Epoxy Coated |
| 15 | Washer | Carbon Steel | Zinc Plated |
| 16 | Screw | Carbon Steel | Zinc Plated |

General Dimensions

| Ref | Size | PN | Dimensions (mm) | | | | | | | | | | Weight (Kg) |
|---------|------|----|-----------------|-----|-----|-----|-----|-----|-----|------|---|-------|-------------|
| | | | DN | H | L | D | D0 | D1 | D2 | b | f | z-d | |
| 2102 09 | 2" | 16 | 50 | 240 | 150 | 165 | 180 | 125 | 99 | 19 | 3 | 4-19 | 9,5 |
| 2102 10 | 2 ½" | 16 | 65 | 270 | 170 | 185 | 200 | 145 | 118 | 19 | 3 | 4-19 | 13 |
| 2102 11 | 3" | 16 | 80 | 300 | 180 | 200 | 200 | 160 | 132 | 19 | 3 | 8-19 | 15 |
| 2102 12 | 4" | 16 | 100 | 330 | 190 | 220 | 220 | 180 | 156 | 19 | 3 | 8-19 | 19 |
| 2102 13 | 5" | 16 | 125 | 375 | 200 | 250 | 250 | 210 | 184 | 19 | 3 | 8-19 | 26 |
| 2102 14 | 6" | 16 | 150 | 425 | 210 | 285 | 250 | 240 | 211 | 19 | 3 | 8-23 | 35 |
| 2102 16 | 8" | 16 | 200 | 515 | 230 | 340 | 280 | 295 | 266 | 20 | 3 | 12-23 | 57 |
| 2102 18 | 10" | 16 | 250 | 600 | 250 | 405 | 320 | 355 | 319 | 22 | 3 | 12-28 | 76 |
| 2102 20 | 12" | 16 | 300 | 685 | 270 | 460 | 350 | 410 | 370 | 24.5 | 4 | 12-28 | 120 |

Optional Adaptor (D2102)



| Ref | Size | A | B | C | D |
|----------|-----------|------|----|------|----|
| D2102 09 | 2" – 4" | 31 | 29 | 12.5 | 45 |
| D2102 13 | 5" – 6" | 31 | 29 | 17.5 | 45 |
| D2102 16 | 8" | 31.5 | 29 | 17.5 | 76 |
| D2102 18 | 10" – 12" | 31.5 | 29 | 21.5 | 76 |

Kv Values

Kv: The water flow rate in cubic meter per hour that will generate a 1 bar pressure drop across the valve.

| DN 50 | DN 65 | DN 80 | DN 100 | DN 125 | DN 150 | DN 200 | DN 250 | DN 300 |
|-------|-------|-------|--------|--------|--------|--------|--------|--------|
| 250 | 410 | 590 | 1050 | 1850 | 2620 | 4850 | 7600 | 11200 |