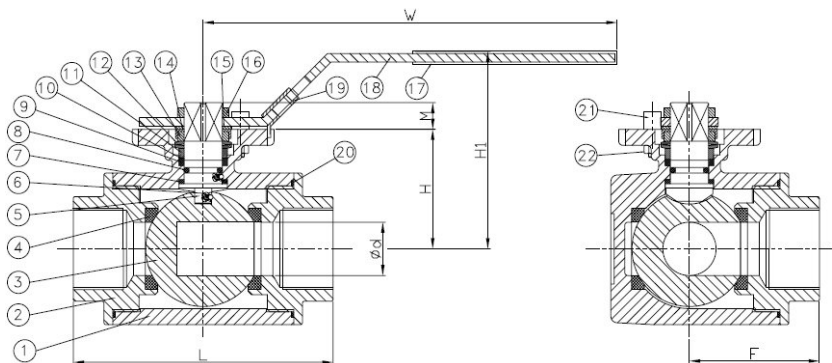


Art2040 3-Way Stainless Steel Ball Valve (L-Port)

Features

1. 3 Way reduced port ball valve.
2. "L" Ball configuration.
3. Threaded ends according to ISO 7-1 (EN 10226-1).
4. Made of stainless steel 1.4408 (CF8M).
5. Four Ball seats PTFE + 15 % G.F. (please ask for other materials).
6. Stem gasket PTFE.
7. FKM (Viton) stem o'ring.
8. Anti-static device (Ball – Stem – Body).
9. Locking system.
10. Direct mounting actuator according to ISO 5211.
11. Blow-out proof stem.
12. Max. Working pressure 63 bar.
13. Working Temperature $-25\text{ }^{\circ}\text{C} + 180\text{ }^{\circ}\text{C}$.



N°	Name	Material	Surface Treatment	Spare Part Code
1	Body	Stainless Steel 1.4408	Shot Blasting & Pickling	
2	Cap	Stainless Steel 1.4408	Shot Blasting & Pickling	
3*	Ball	Stainless Steel 1.4408		2408
4*	Ball Seat	PTFE + 15% Graphite		2819
5	Stem	Stainless Steel 316		
6	Anti-Static Device	Stainless Steel 316		
7*	Thrust Washer	PTFE		2819
8*	O-Ring	FKM		2819
9*	Stem Packing	PTFE		2819
10	Bushing	Stainless Steel + PTFE		
11	Gland	Stainless Steel 304		
12	Spring Washer	Stainless Steel 304		
13	Nut	ASTM A194-8		

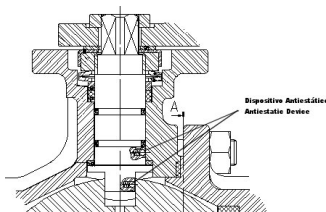
N°	Name	Material	Surface Treatment	Spare Part Code
14	Stopper	Stainless Steel 304		
15	Washer	Stainless Steel 304		
16	Handle Nut	Stainless Steel 304		
17	Handle Sleeve	Vinyl		
18	Handle	Stainless Steel 304		
19	Lock Device	Stainless Steel 304		
20*	Gasket	PTFE		2819
21	Stop Bolt	Stainless Steel 304		
22	Nut	ASTM A194-8		

*Spare parts available

General Dimensions

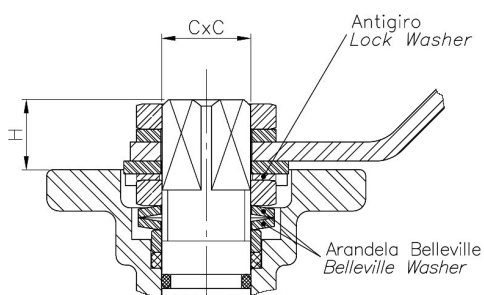
Ref	Size	PN	d	Dimensions (mm)								ISO 5211	Weight (Kg)
				L	H	H1	W	M	F	C x C			
2040 02	1/4"	63	9.5	75	37	66	130	8	37	9 x 9	F03 / F04	0,700	
2040 03	3/8"	63	11	75	37	66	130	8	37	9 x 9	F03 / F04	0,670	
2040 04	1/2"	63	12	75	37	66	130	8	37	9 x 9	F03 / F04	0,630	
2040 05	3/4"	63	15	85	41	72	161	12	42	11 x 11	F04 / F05	0,950	
2040 06	1"	63	20	100	47	77	161	12	50	11 x 11	F04 / F05	1,400	
2040 07	1 1/4"	63	25	122	56	92	203	12	61	14 x 14	F05 / F07	2,900	
2040 08	1 1/2"	63	32	131	60	96	203	12	65	14 x 14	F05 / F07	3,600	
2040 09	2"	63	40	158	71	107	203	12	79	14 x 14	F05 / F07	6,250	
2040 10	2 1/2"	63	49	178	95	135	254	14	89	17 x 17	F07 / F10	8,950	

Anti-static Device



This ensures electrical continuity between the body, ball & stem, this is of special need in flammable fluids.

Stem Detail



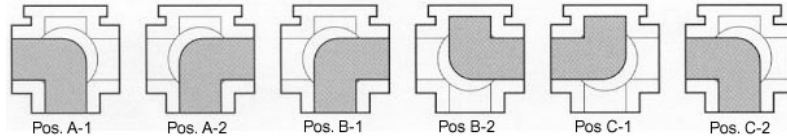
Lock Washer

Prevents unthreading of stem nut in high cycle automation applications.

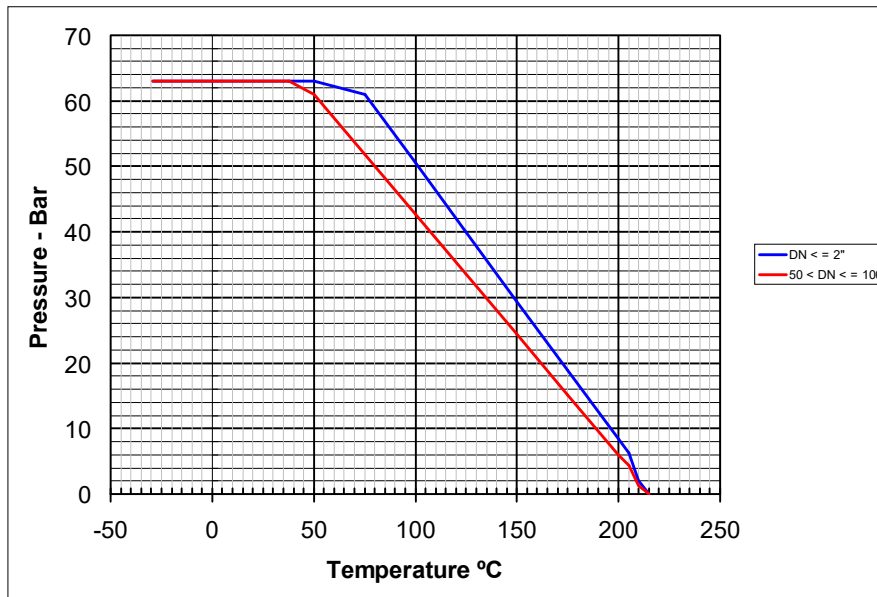
Belleville Washers

Belleville washers provide constant "live load" on the stem seals, assuring a tight seal even varying service parameters.

Flow Patterns (3-Way L-Port Valves)



Pressure/Temperature Rating



Kv Values

Kv (m³/h): Flow rate of water in cubic meter per hour that will generate a 1 bar pressure drop across the valve.

Size	1/4"	3/8"	1/2"	3/4"	1"	1 1/4"	1 1/2"	2"	2 1/2"
m ³ /h	11	11	13	15	31	39	62	103	205