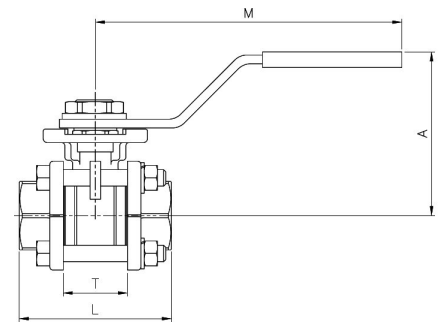
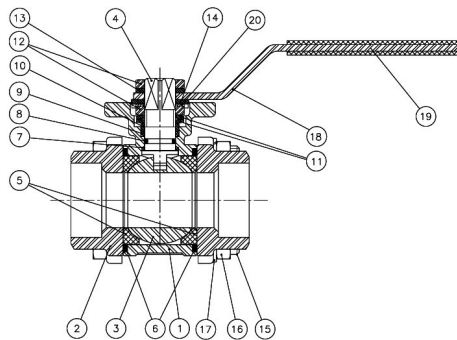


Art2027 3-Piece Stainless Steel Ball Valve (Socket Weld)

Features

1. Stainless steel full port ball valve, 3 pieces.
2. Socket Weld ends according to ANSI B 16.11 Std.
3. Made of stainless steel 1.4408 (CF8M).
4. Ball seats PTFE + 15 % G.F.
(please ask for other materials)
5. O'ring in the stem FKM (Viton).
6. Stem gasket PTFE + 15 % Graphite.
7. Locking system.
8. Direct mounting actuator ISO 5211.
9. Blow-out proof stem.
10. Max. Working pressure 63 bar.
11. Working Temperature $-25\text{ }^{\circ}\text{C} + 180\text{ }^{\circ}\text{C}$.

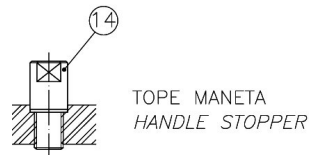


N°	Name	Material	Surface Treatment	Spare Part Code
1	Body	Stainless Steel 1.4408	Shot Blasting	
2	Cap	Stainless Steel 1.4408	Shot Blasting	
3*	Ball	Stainless Steel 1.4408	Polishing	2907/2904 (4")
4*	Stem	Stainless Steel 316		2905
5*	Ball Seat	PTFE + 15% Graphite		2820
6*	Gasket	PTFE + Graphite		2820
7*	Thrust Washer	PTFE + Graphite		2820
8*	O-Ring	FKM		2820
9*	Stem Packing	PTFE		2820
10	Gland	Stainless Steel 304		
11	Belleville Washer	Stainless Steel 301		
12	Nut	Stainless Steel 304		
13	Washer	Stainless Steel 304		
14	Stopper	Stainless Steel 304		
15	Bolt	Stainless Steel 304		
16	Nut	Stainless Steel 304		

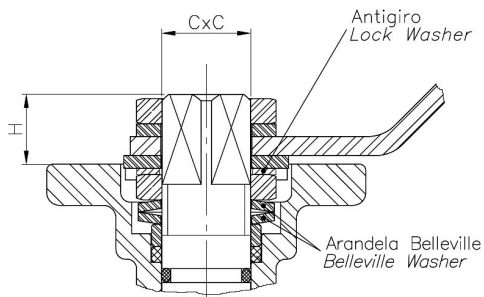
Nº	Name	Material	Surface Treatment	Spare Part Code
17	Grover Washer	Stainless Steel 304		
18	Handle	Stainless Steel 304		
19	Handle Sleeve	Vinyl		
20	Lock Washer	Stainless Steel 304		

*Spare parts available

Sizes 2 1/2" - 4" Only



Stem Detail



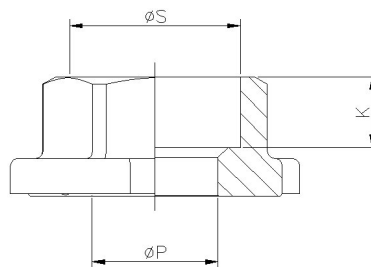
Lock Washer

Prevents unthreading of stem nut in high cycle automation applications.

Belleville Washers

Belleville washers provide constant "live load" on the stem seals, assuring a tight seal even varying service parameters.

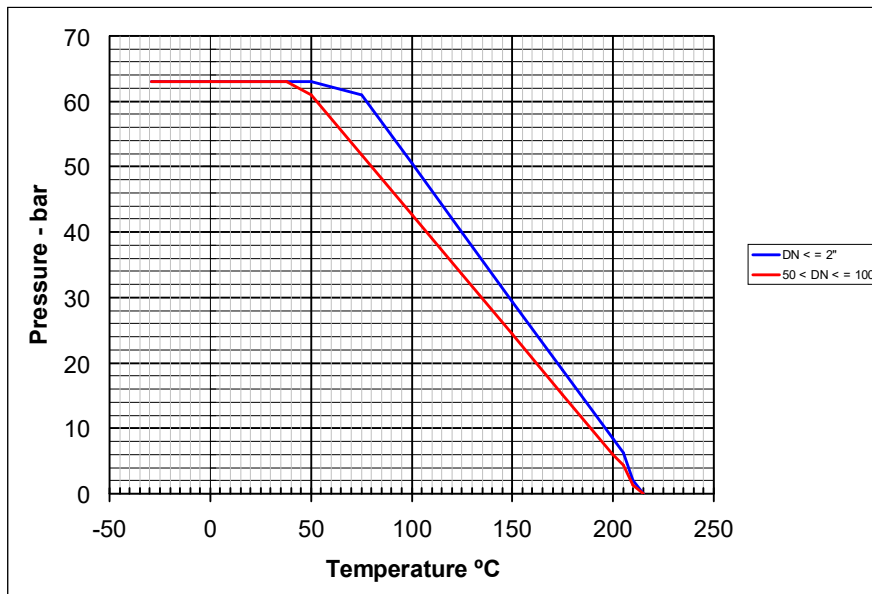
Socket Weld Ends (ANSI B16.11)



General Dimensions

Ref	Size	PN	øP	øK	øS	Dimensions (mm)							Weight (Kg)
						A	L	M	T	H	C x C	ISO5211	
2027 02	1/4"	63	11	10	14.1	60	47.6	112	23	10	9 x 9	F03	0,380
2027 03	3/8"	63	12.7	10	17.6	60	47.6	112	23	10	9 x 9	F03	0,380
2027 04	1/2"	63	15	10	21.7	60	55	112	24	11	9 x 9	F03/F04	0,440
2027 05	3/4"	63	20	14	27.1	70	73	138	30	11	11 x 11	F04/F05	0,820
2027 06	1"	63	25	14	33.8	70	81	138	33.5	11	11 x 11	F04/F05	1,020
2027 07	1 ¼"	63	32	15	42.6	88	91	160	41.5	15	14 x 14	F05/F07	1,780
2027 08	1 ½"	63	40	15	48.7	94	103	205	51.5	15	14 x 14	F05/F07	2,470
2027 09	2"	63	50	19	61.1	100	120	205	63	15	14 x 14	F05/F07	3,400
2027 10	2 ½"	63	65	21	73.8	150	155	330	83.5	19	17 x 17	F07/F10	8,800
2027 11	3"	63	80	24	89.8	165	182	330	100	19	17 x 17	F07/F10	12,350
2027 12	4"	63	100	35	115.5	175	229	340	118.5	19	17 x 17	F07/F10	19,600

Pressure/Temperature Ratings



Kv Values

Kv: Flow rate of water in cubic meter per hour (m³/h) that will generate a pressure drop of 1 bar across the valve.

1/4"	3/8"	1/2"	3/4"	1"	1 1/4"	1 1/2"	2"	2 1/2"	3"	4"
6	10	24	43	83	130	205	340	520	1100	1820

