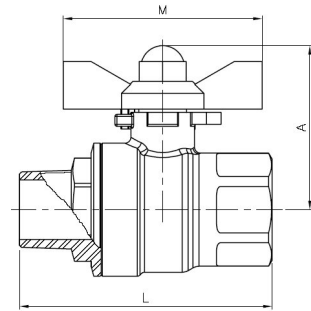
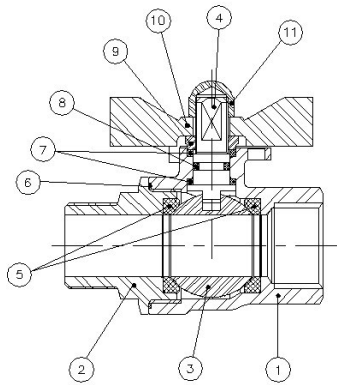


Art2010 2-Piece Stainless Steel Ball Valve (BSP Male/Female)

Features

1. Stainless steel full port ball valve, 2 piece.
2. Thread ends according to ISO 7-1 (EN 10226-1) M – F.
3. Made of stainless steel 1.4408 (CF8M).
4. Ball seats PTFE + 15 % G.F.
5. Blow-out proof stem.
6. O’ring in the stem FKM (Viton).
7. Stem packing PTFE.
8. Butterfly handle operated.
9. Max. working pressure 63 bar.
10. Working Temperature $-25\text{ }^{\circ}\text{C} + 180\text{ }^{\circ}\text{C}$.

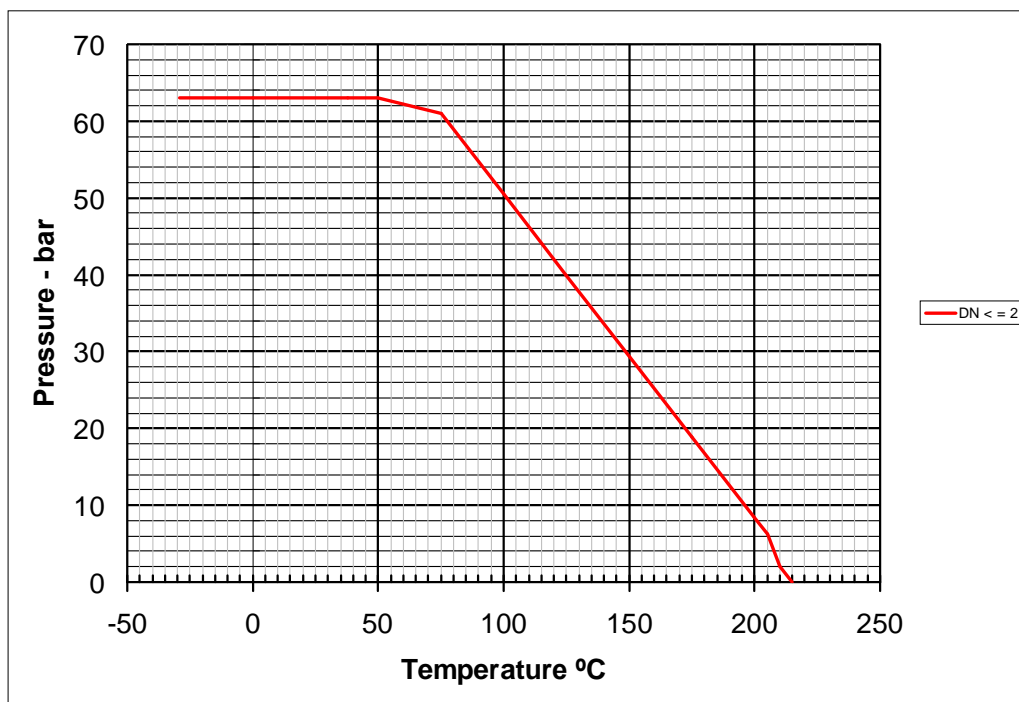


N°	Name	Material	Surface Treatment
1	Body	Stainless Steel 1.4408	Shot Blasting
2	Cap	Stainless Steel 1.4408	Shot Blasting
3	Ball	Stainless Steel 1.4408	
4	Stem	Stainless Steel 316	
5	Ball Seat	PTFE + 15% Graphite	
6	Gasket	PTFE	
7	Trust Washer	PTFE	
8	O-Ring	FKM	
9	Stem Packing	Stainless Steel 304	
10	Butterfly Handle	Stainless Steel 304	
11	Nut	Stainless Steel 304	

General Dimensions

Ref	Size	PN	Dimensions (mm)			Weight (g)
			A	L	M	
2010 02	1/4"	63	32	56	50	200
2010 03	3/8"	63	32	56	50	183
2010 04	1/2"	63	41	63	50	224
2010 05	3/4"	63	58	79	63	464
2010 06	1"	63	61	90	63	635

Pressure/Temperature Rating



Kv Values

Kv: The rate of flow of water in cubic meter per hour that will generate a pressure drop of 1 bar across the valve.

1/4"	3/8"	1/2"	3/4"	1"
6	10	24	43	83