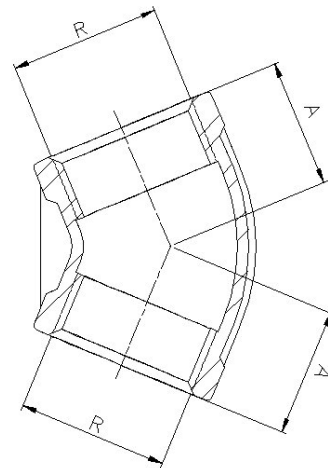


Art0120 Stainless Steel 45 Degree Elbow (BSP Threaded)

Features

1. Made of AISI 316 (Casting) .
2. Thread according to ISO 7-1 (EN 10226-1) Std.
3. Dimensions according to ISO 4144 Std.
4. Max. Working pressure 20 Bar (S-150).
5. Temperature ratings $-20\text{ }^{\circ}\text{C}$ to $220\text{ }^{\circ}\text{C}$.



General Dimensions

Ref	Size (R)	Dimensions (mm) - A
0120 02	1/4"	17
0120 03	3/8"	19
0120 04	1/2"	21
0120 05	3/4"	25
0120 06	1"	29
0120 07	1 1/4"	33
0120 08	1 1/2"	37
0120 09	2"	42
0120 10	2 1/2"	49