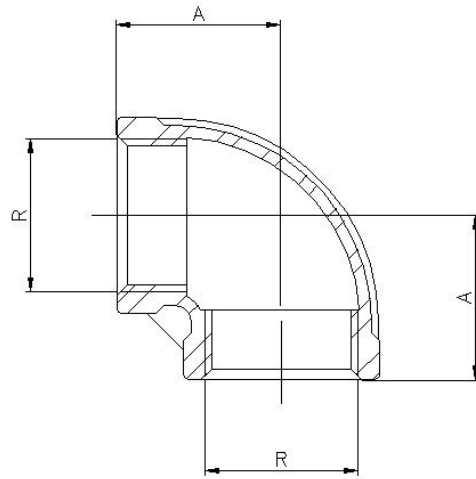


Art0090 Stainless Steel 90 Degree Elbow (BSP Threaded)

Features

1. Made of AISI 316 (Casting).
2. Thread according to ISO 7-1 (EN 10226-1) Std.
3. Dimensions according to ISO 4144 Std.
4. Max. working pressure 20 Bar (S-150).
5. Temperature ratings $-20\text{ }^{\circ}\text{C}$ to $220\text{ }^{\circ}\text{C}$.



General Dimensions

Ref	Size - R	Dimensions (mm) - A
0090 02	1/4"	19
0090 03	3/8"	23
0090 04	1/2"	27
0090 05	3/4"	32
0090 06	1"	38
0090 07	1 1/4"	45
0090 08	1 1/2"	48
0090 09	2"	57
0090 10	2 1/2"	69
0090 11	3"	78
0090 12	4"	96