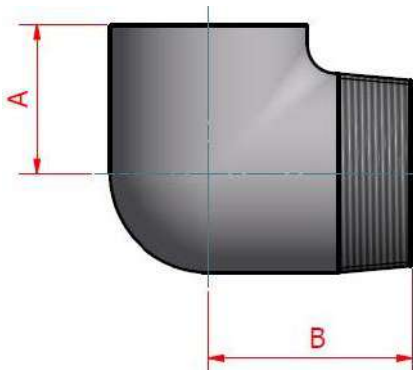


# BS EN 10241 Mild Steel Threaded Fittings Male/Female 90 Degree Street Elbow

## General Specifications

Available Black (Self-Colour) & HDG Galvanised  
Forged Mild Steel Fittings (Dimensions to BS EN 10241)  
BSP Threaded (Taper Male/Parallel Female)  
Manufactured in the EU  
Maximum Pressure: 25 bar  
Maximum Temperature: 230°C



| Nominal bore |          | Centre to face dim.<br>A | Centre to face dim. B | Weight each |
|--------------|----------|--------------------------|-----------------------|-------------|
| Metric       | Imperial | mm                       | mm                    | kgs         |
| 8mm          | 1/4"     | 19                       | 27                    | 0.04        |
| 10mm         | 3/8"     | 21                       | 29                    | 0.07        |
| 15mm         | 1/2"     | 25                       | 35                    | 0.13        |
| 20mm         | 3/4"     | 30                       | 40                    | 0.19        |
| 25mm         | 1"       | 37                       | 46                    | 0.34        |
| 32mm         | 1 1/4"   | 43                       | 54                    | 0.62        |
| 40mm         | 1 1/2"   | 49                       | 57                    | 0.73        |
| 50mm         | 2"       | 59                       | 70                    | 1.26        |
| 65mm         | 2 1/2"   | 68                       | 83                    | 2.12        |
| 80mm         | 3"       | 81                       | 94                    | 2.90        |
| 100mm        | 4"       | 100                      | 115                   | 6.06        |

### Manufacturing Method

Black: Fabricated  
Red: Seamless