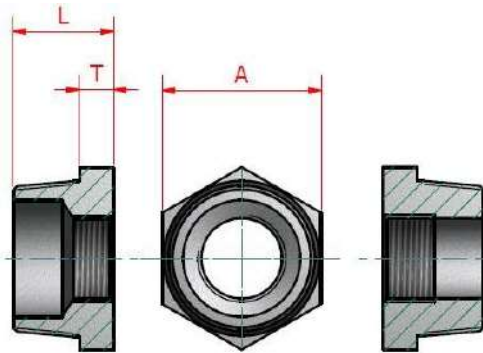


BS EN 10241 Mild Steel Threaded Fittings Hexagon Reducing Bushes

General Specifications

Available Black (Self-Colour) & HDG Galvanised
Forged Mild Steel Fittings (Dimensions to BS EN 10241)
BSP Threaded (Taper Male/Parallel Female)
Manufactured in the EU
Maximum Pressure: 25 bar
Maximum Temperature: 230°C



Nominal bore		Width across hexagon flats dim. A	Minimum length dim. L	Thickness of hexagon dim. T	Weight each
Metric	Imperial	mm	mm	mm	kgs
8 x 6mm	1/4" x 1/8"	14,0	12,5	6	0.01
10 x 6mm	3/8" x 1/8"	17,0	12,5	8	0.02
10 x 8mm	3/8" x 1/4"	17,0	12,5	8	0.02
15 x 6mm	1/2" x 1/8"	22,0	17,5	8	0.04
15 x 8mm	1/2" x 1/4"	22,0	17,5	8	0.05
15 x 10mm	1/2" x 3/8"	22,0	17,5	8	0.03
20 x 6mm	3/4" x 1/8"	27,0	19,0	10	0.08
20 x 8mm	3/4" x 1/4"	27,0	19,0	10	0.08
20 x 10mm	3/4" x 3/8"	27,0	19,0	10	0.07
20 x 15mm	3/4" x 1/2"	27,0	19,0	10	0.05
25 x 8mm	1" x 1/4"	36,0	21,0	10	0.14
25 x 10mm	1" x 3/8"	36,0	21,0	10	0.14
25 x 15mm	1" x 1/2"	36,0	21,0	10	0.13
25 x 20mm	1" x 3/4"	36,0	21,0	10	0.10
32 x 15mm	1 1/4" x 1/2"	46,0	24,0	11	0.27
32 x 20mm	1 1/4" x 3/4"	46,0	24,0	11	0.24
32 x 25mm	1 1/4" x 1"	46,0	24,0	11	0.19
40 x 15mm	1 1/2" x 1/2"	50,0	24,0	13	0.32
40 x 20mm	1 1/2" x 3/4"	50,0	24,0	13	0.31
40 x 25mm	1 1/2" x 1"	50,0	24,0	13	0.26
40 x 32mm	1 1/2" x 1 1/4"	50,0	24,0	13	0.17

Nominal bore		Width across hexagon flats dim. A	Minimum length dim. L	Thickness of hexagon dim. T	Weight each
Metric	Imperial	mm	mm	mm	kgs
50 x 15mm	2" x 1/2"	65,0	27,0	14	0.59
50 x 20mm	2" x 3/4"	65,0	27,0	14	0.56
50 x 25mm	2" x 1"	65,0	27,0	14	0.53
50 x 32mm	2" x 1 1/4"	65,0	27,0	14	0.46
50 x 40mm	2" x 1 1/2"	65,0	27,0	14	0.40
65 x 25mm	2 1/2" x 1"	78,0	32,0	16	1.08
65 x 32mm	1/2" x 1 1/4"	78,0	32,0	16	1.05
65 x 40mm	1/2" x 1 1/2"	78,0	32,0	16	0.93
65 x 50mm	2 1/2" x 2"	78,0	32,0	16	0.68
80 x 25mm	3" x 1"	90,0	35,0	19	1.85
80 x 32mm	3" x 1 1/4"	90,0	35,0	19	1.77
80 x 40mm	3" x 1 1/2"	90,0	35,0	19	1.67
80 x 50mm	3" x 2"	90,0	35,0	19	1.40
80 x 65mm	3" x 2 1/2"	90,0	35,0	19	0.86
100 x 40mm	4" x 1 1/2"	115,0	40,0	22	3.76
100 x 50mm	4" x 2"	115,0	40,0	22	3.33
100 x 65mm	4" x 2 1/2"	115,0	40,0	22	2.75
100 x 80mm	4" x 3"	115,0	40,0	22	2.25
125 x 100mm	5" x 4"	140,0	45,0	25	3.65
150 x 100mm	6" x 4"	166,0	45,0	25	5.24

Manufacturing Method

Black: Fabricated
Red: Seamless