

BS EN 10241 Mild Steel Threaded Fittings Equal Tees

General Specifications

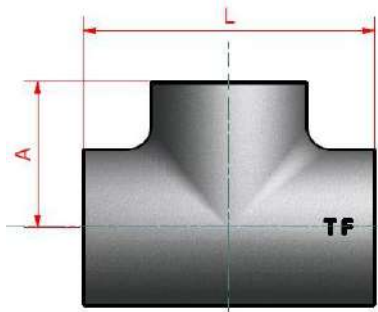
Available Black (Self-Colour) & HDG Galvanised
Forged Mild Steel Fittings (Dimensions to BS EN 10241)

BSP Threaded (Taper Male/Parallel Female)

Manufactured in the EU

Maximum Pressure: 25 bar

Maximum Temperature: 230°C



Nominal bore		Centre to face dim. A	Length dim. L	Weight each	
Metric	Imperial			mm	mm
6mm	1/8"	16	32		0.11
8mm	1/4"	22	44		0.09
10mm	3/8"	24	48		0.10
15mm	1/2"	32	64		0.20
20mm	3/4"	35	70		0.23
25mm	1"	43	86		0.46
32mm	1 1/4"	51	102		0.71
40mm	1 1/2"	52	104		0.87
50mm	2"	64	128		1.45
65mm	2 1/2"	76	152		2.31
80mm	3"	89	178		3.25
100mm	4"	115	230		7.50
125mm	5"	140	280		11.00
150mm	6"	180	360		14.00

Manufacturing Method

Black: Fabricated
Red: Seamless