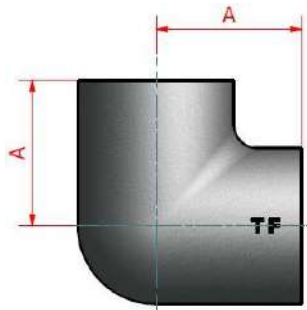


# BS EN 10241 Mild Steel Threaded Fittings 90 Degree Elbows

## General Specifications

Available Black (Self-Colour) & HDG Galvanised  
Forged Mild Steel Fittings (Dimensions to BS EN 10241)  
BSP Threaded (Taper Male/Parallel Female)  
Manufactured in the EU  
Maximum Pressure: 25 bar  
Maximum Temperature: 230°C



Nominal bore		Centre to face dim. A	Length dim. L	Weight each	
Metric	Imperial			Fem. Elbow	
		mm	mm	kgs	
6mm	1/8"	16	32	0.09	
8mm	1/4"	22	44	0.07	
10mm	3/8"	24	48	0.09	
15mm	1/2"	32	64	0.17	
20mm	3/4"	35	70	0.26	
25mm	1"	43	86	0.42	
32mm	1 1/4"	51	102	0.64	
40mm	1 1/2"	52	104	0.76	
50mm	2"	64	128	1.22	
65mm	2 1/2"	76	152	2.00	
80mm	3"	89	178	2.71	
100mm	4"	115	230	5.77	
125mm	5"	140	280	8.00	
150mm	6"	180	360	11.00	

### Manufacturing Method

Black: Fabricated  
Red: Seamless