

BS EN 10241 Mild Steel Threaded Fittings 45 Degree Elbow

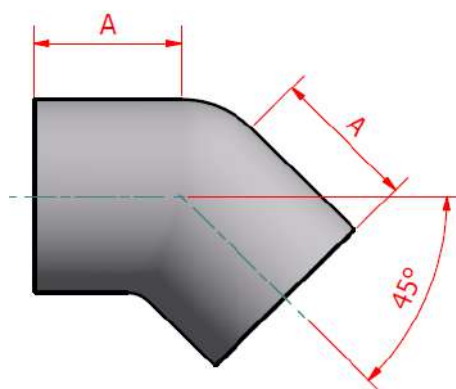
General Specifications

Available Black (Self-Colour) & HDG Galvanised
Forged Mild Steel Fittings (Dimensions to BS EN 10241)
BSP Threaded (Taper Male/Parallel Female)

Manufactured in the EU

Maximum Pressure: 25 bar

Maximum Temperature: 230°C



Nominal bore		Centre to face dim. A	Weight each
Metric	Imperial	mm	kgs
15mm	1/2"	22	0.15
20mm	3/4"	27	0.20
25mm	1"	33	0.32
32mm	1 1/4"	38	0.49
40mm	1 1/2"	44	0.63
50mm	2"	51	0.94
65mm	2 1/2"	59	1.42
80mm	3"	66	2.04
100mm	4"	77	3.05
125mm	5"	87	4.10
150mm	6"	92	5.68

Manufacturing Method

Black: Fabricated
Red: Seamless