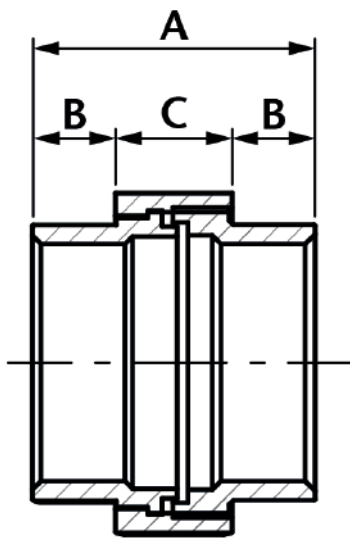


FFU Stainless Steel Flat Face Union (PTFE Gasket)



DN	A	B	C	Kgs
1/8"	30.5	8.75	13	0.055
1/4"	34.5	10.35	13.8	0.083
3/8"	37	11	15	0.105
1/2"	40.6	12.05	16.5	0.116
3/4"	43.5	12.75	18	0.198
1"	51.5	15.55	20.4	0.265
1 1/4"	54.5	16	22.5	0.406
1 1/2"	58	17	24	0.483
2"	66	19.5	27	0.814
2 1/2"	75.3	22.9	29.5	1.435
3"	83.3	26.15	31	1.847
4"	110.3	38.15	34	3.124



- Made from CF8M (316) Stainless Steel material and conform to **ISO 4144** standard.
- Threads are to ISO 7-1 (DIN2999) BSPP Female, BSPT Male.
- Material certificates available on request.
- Pressure temperature ratings. See table below.

Temperature (°C)	Non-shock maximum working pressure (bar)
-20 to 40	20
100	16.5
150	15
200	14
220	13.5

NOTE 1 Pressure for intermediate temperatures may be determined by the interpolation method.
 NOTE 2 Temperatures indicated are those of internal fluid.
 NOTE 3 Piping loads, stresses and moments are not taken into account.

- Tested & inspected prior to despatch.
- 12 month warranty from date of installation.
- Manufactured in accordance with ISO9001:2015 quality system.