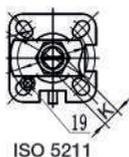


# ART 994 PRS

## Stainless Steel 3 Piece Press Ball Valve ISO5211



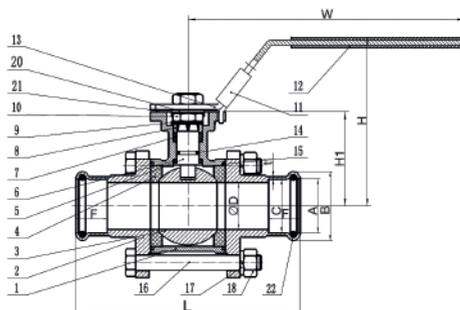
### Features

- Dedicated M Profile
- Full Bore
- Locking device
- ISO5211 Direct mount

### Technical data

Max pressure: 15mm 24 Bar  
 22mm & 28mm 20 Bar  
 35mm - 54mm 17 Bar  
 76mm - 108mm 10 Bar

Working temp: -20°C to +120°C



DN	15	22	28	35	42	54	76	88	108
L	87	100.6	130	143.2	158	186	251.4	274.7	329.2
W	141	141	162	162	188	188	233	233	330
H	75	81	93	98	109	124	151	160	172
A	15.7	22.9	28.8	35.8	42.7	54.7	79	92	112
B	22.7	30.8	36.7	43.7	52.7	64.7	94.5	108	131.2
C	15.3	22.3	28.4	35.4	42.4	54.5	77.1	89.9	109.2
D	12.5	20	25	32	38	50	64.5	76	94
F	20	21	23	27.5	31.6	36.6	61.6	66.6	81.7
t	1.5	1.5	1.5	1.5	1.5	1.5	2	2	2
ISO5211	F03/F04	F03/F04	F04/F05	F04/F05	F05/F07	F05/F07	F07/F010	F07/F010	F07/F010
H1	42	48	55	60	70	85	105	114	128
K	9	9	11	11	14	14	17	17	17
Torque	5	7	10	12	20	32	60	90	100
Kv	19	48	79	129	183	316	372	517	846
Kgs	0.47	0.68	1.08	1.72	2.43	3.92	7.85	11.68	22.41

N.	Part Name	Materials
1	Body	CF8M
2	Cap	CF8M
3	Ball	Stainless Steel 316
4	Seat	RPTFE (15%)
5	Stem	Stainless Steel 316
6	Thrust Washer	PTFE
7	Stem Packing	PTFE
8	Bushing	Stainless Steel 304
9	Bellville Washer	Stainless Steel 304
10	Stem Nut	Stainless Steel 304
11	Lock Device	Stainless Steel 304
12	Handle Cover	Plastic
13	Handle	Stainless Steel 304
14	O-Ring	NBR
15	Seal	PTFE
16	Bolt	Stainless Steel 304
17	Spring Washer	Stainless Steel 304
18	Bolt Nut	Stainless Steel 304
19	Stop Pin	Stainless Steel 304

20	Washer	Stainless Steel 304
21	Lug Washer	Stainless Steel 304
22	O-Ring	EPDM

