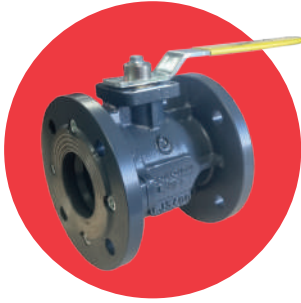




Art82 PN16 Flanged Cast Iron Ball Valve



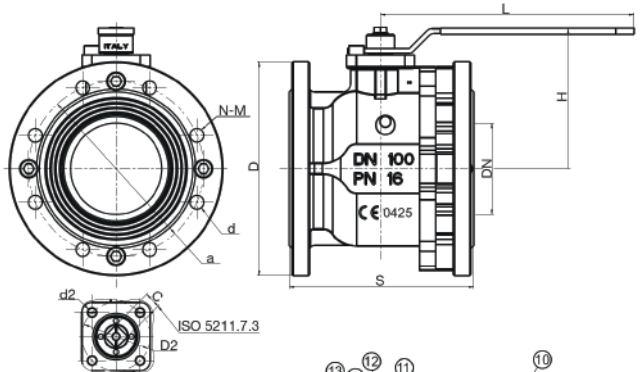
Features

- Flanged mounting PN16 only
- Anti-blow-out stem
- Approved to EN13774 (gas distribution)

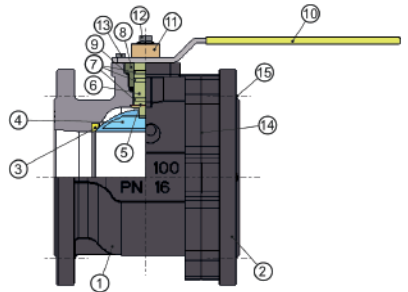


Technical data

Max pressure: 16 Bar
Working temp: -10°C to +60°C



DN	40	50	65	80	100	125	150
Ø	40	50	61	74	95	120	145
S	140	150	170	180	190	200	210
H	92	99	121	130	144	185	204
L	240	240	260	260	260	450	450
D	150	165	185	200	220	250	285
a	110	125	145	160	180	210	240
N-M	4	4	4	8	8	8-M16	8-M20
d	18	18	18	18	18		
ISO 5211	F05	F05	F07	F07	F07	F10	F10
C	14	14	17	17	17	22	22
KV	170	265	510	790	1230	1900	2900



N.	Part Name	Materials
1	Body	Cast Iron GJS400
2	Flange	Cast Iron GJS400
3,4	Seat	PTFE
4	Ball	Brass / Chrome Plated
6	Stem	AVP
7, 8, 14	O-Ring	FP
9	Packing Nut	Brass CW614N
10	Handle	Steel
11	Cap	Brass CW614N / Nickel Plated
12, 13, 15	Screw	Steel / Zinc Plated

