



## Art671

### DZR Brass Pressure Reducing Valve w/ Gauge

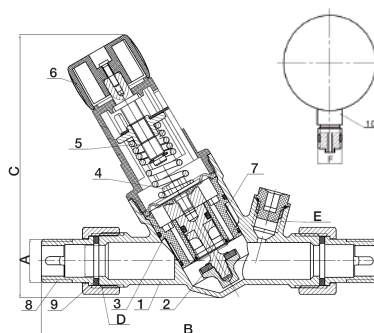


#### Technical data

Max inlet pressure:	16 Bar
Outlet pressure range:	0.5 - 6 Bar
Min inlet pressure:	1 Bar
Operating temperature:	0°C - 80°C
Factory set pressure:	3 Bar

#### Features

- BSP Parallel Male Ends (ISO 228/1)
- Controls static and dynamic pressure
- Designed & manufactured to BS EN 1567
- Easy to service high temperature cartridge
- AISI 304 stainless steel cartridge filter
- Supplied with a pressure gauge



	A	1/2"	3/4"	1"	1.1/4"	1.1/2"	2"
B	163	163	205	214	239	254	
C	128	131	164	174	186	199	
D	3/4"	1"	1.1/4"	1.1/2"	2"	2.1/2"	
E	1/4"	1/4"	1/4"	1/4"	1/4"	1/4"	
F	1/4"	1/4"	1/4"	1/4"	1/4"	1/4"	
Kv	1.7	2.1	3.7	5.5	5.9	6.7	
Kgs	0.76	0.92	1.49	1.90	2.61	3.71	

N. Part Name	Materials
1 Body	DZR Brass CW602N / Nickel Plated
2 Disc	DZR Brass CW602N
3 Cartridge	Polyoxymethelene
4 Seat	DZR Brass CW602N
5 Spring	Stainless Steel 304
6 Adjustable Knob	Polyamid / 6T
7 Filter	Stainless Steel 302
8 Male Union End	DZR Brass CW602N / Nickel Plated
9 Seal	EPDM
10 Pressure Gauge	Steel Casing

#### Cavitation Chart

