



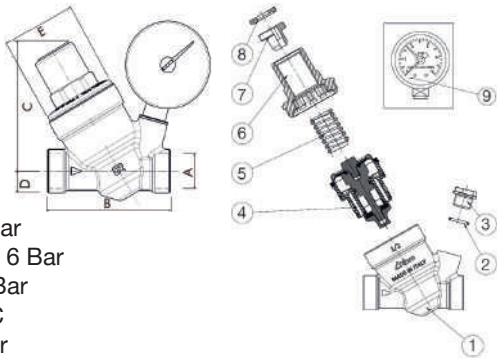
## Art670F

### DZR Brass Pressure Reducing Valve w/ Gauge



#### Features

- BSP Parallel Female Ends (ISO 228/1)
- Controls static and dynamic pressure
- Conforms to BS EN 1567
- Easy to service high temperature cartridge
- AISI 304 stainless steel cartridge filter
- Supplied with a pressure gauge



#### Technical data

Max inlet pressure (static):	16 Bar
Adjustable pressure range:	0.5 - 6 Bar
Min inlet pressure:	0.5 Bar
Max inlet temperature:	80°C
Factory set pressure:	3 Bar

<b>A</b>	<b>1/2"</b>	<b>3/4"</b>
B	75	78
C	76	77
D	18	16
E	46	46
Kgs	0.48	0.54

N.	Part Name	Materials
1	Body	DZR Brass CW602N
2	O-Ring	EPDM + Perox
3	Plug	PA66 + 30% f.d.v
4	Cartridge	PA66 + 30% F.V. + colouring MACROVERS 564FA
5	Spring	EN 0270-3-1.4310
6	Bonnet	PA66+30% f.d.v.
7	Adjustable Plug	CW614N
8	Plastic Cap	PC / ABS
9	Pressure gauge	

#### Cavitation Chart

