

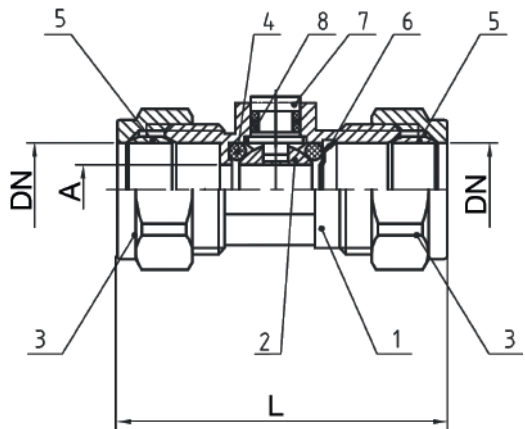
## Art18

### Brass Compression Service Isolating Ball Valve



#### Features

- Compression ends to BS EN1254-2



#### Technical data

Max pressure: 10 Bar

Working temp: -20°C to +85°C

DN	15	22
A	Ø8	Ø12
L	50	65
Kgs	0.07	0.16

N.	Part Name	Materials
1	Body	Brass / Nickel Plated
2	Ball	Brass / Chrome Plated
3	Cap	Brass / Nickel Plated
4	O-Ring	EPDM
5	Olive	
6	Circlip	Stainless Steel
7	Stem	Brass / Nickel Plated
8	O-Ring	EPDM

