



Art 10

Brass Drain Cock



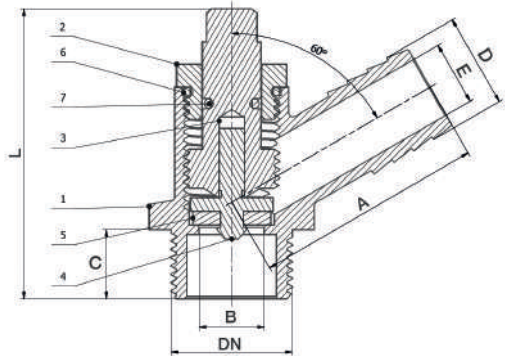
Technical data

Max pressure: 16 Bar

Working temp: -20°C to +90°C

Features

- Screwed BSP Parallel Male Ends (ISO 228/1)
- BS 2879/2 Type A
- Hose connection outlet



DN	1/2"	3/4"
A	32.5	50
B	Ø9.5	Ø14.2
C	12.5	15
D	Ø14	Ø20.5
E	Ø9.5	Ø14
L	45 - 49.5	63 - 69.5
Kgs	0.08	0.21

N.	Part Name	Materials
1	Body	Brass HPb59-1
2	Bonnet	Brass HPb59-1
3	Stem	Brass HPb59-1
4	Baffle	Brass HPb59-1
5	Washer	EPDM
6	O-Ring	EPDM
7	O-Ring	EPDM

