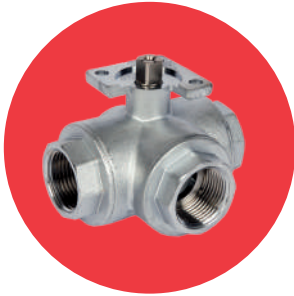


ART 87-88

PN30 Brass 3 Way Ball Valve



Features

- Screwed BSP Parallel (ISO 228/1)
- PTFE seals
- ISO 5211 Direct Mount
- Lever available
- 'L' & 'T' port

Technical data

Max pressure: $\frac{1}{4}$ " - $\frac{3}{4}$ " 30 Bar
 1 " - $1\frac{1}{4}$ " 20 Bar
 $1\frac{1}{2}$ " - 2 " 16 Bar

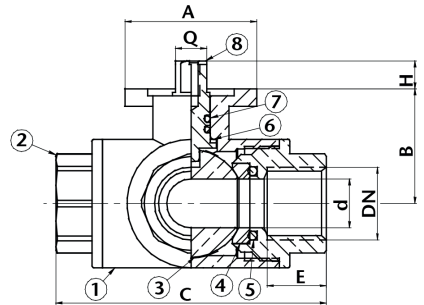
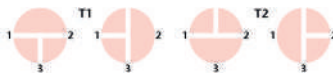
Working temp: -20°C to $+120^{\circ}\text{C}$

Ball Positions

ART 88



ART 87



DN	$\frac{1}{4}$ "	$\frac{3}{8}$ "	$\frac{1}{2}$ "	$\frac{3}{4}$ "	1 "	$1\frac{1}{4}$ "	$1\frac{1}{2}$ "	2 "
d	10	10	14	19	24	30	38	48
A	38	38	38	50	50	50	70	70
B	30	30	33	42	47	52	70	79.5
C	65	65	78	87	105	118	134	161
E	15	15	17	18	21	23.5	23.5	27.5
H	10	10	10	12	12	12	16	16
Q	9	9	9	11	11	11	14	14
ISO5211	F03	F03	F03	F05	F05	F05	F07	F07
Torque	3	3	4	10	13	13	20	25
Kv	2.7	3.0	3.5	5.9	11.0	16.0	25.4	37.4
Kgs (ART 87)	0.69	0.73	0.82	1.04	1.74	2.70	4.32	8.37
Kgs (ART 88)	0.70	0.73	0.82	1.04	1.75	2.70	4.32	8.37

Torque calculated at zero pressure includes 25% safety, add 25% for dry duty.

N. Part Name Materials

1 Body	Brass / Chrome Plated CW617N
2 Cap	Brass / Chrome Plated CW617N
3 Ball	$\frac{1}{4}$ " - $\frac{3}{4}$ " Brass / Chrome Plated CW614N 1 " - 2 " Brass / Chrome Plated CW617N
4 Ring	PTFE
5 O-Ring	Viton
6 Washer	PTFE
7 O-Ring	Viton
8 Stem	Brass / Nickel Plated CW617N

