

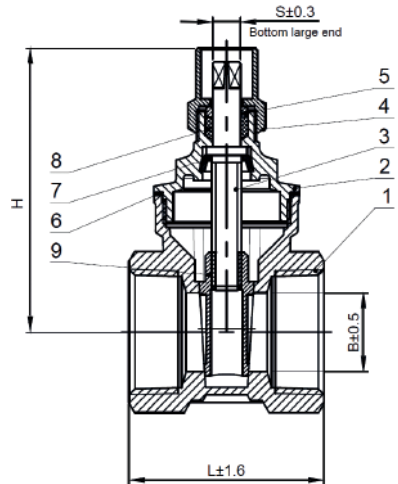
ART 640LS

PN20 DZR Brass Gate Valve



Features

- Screwed BSP Taper (ISO 7/1) or NPT (ANSI B1.20.1)
- DZR brass body & wedge
- Lock shield
- BS5154



Technical data

Max pressure: 20 Bar

Working temp: -20°C to $+170^{\circ}\text{C}$

DN	1/2"	3/4"	1"	1 1/4"	1 1/2"	2"
L	43	46	52	65	66	82.5
H	63.5	67.3	68.9	87.7	96.7	114.5
S	6.3	6.3	6.3	6.3	8.0	8.0
B	13	17	21	27	34	45
Kv	8.4	15.2	22.1	39.8	63.1	142.0
Kgs	0.20	0.27	0.39	0.59	0.83	1.31

N.	Part Name	Materials
1	Body	DZR CW602N
2	Bonnet	DZR CW602N
3	Stem	DZR CW602N
4	Packing Nut	Brass HPb58-2
5	Washer Ring	Brass HPb58-2
6	Gasket	PTFE
7	Lock Ring	Brass HPb58-2
8	Stem Packing	PTFE
9	Disc	DZR CW602N

