

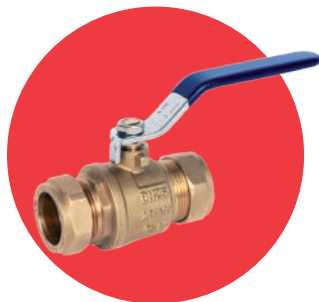
# ART 59

## PN25 DZR Brass Ball Valve



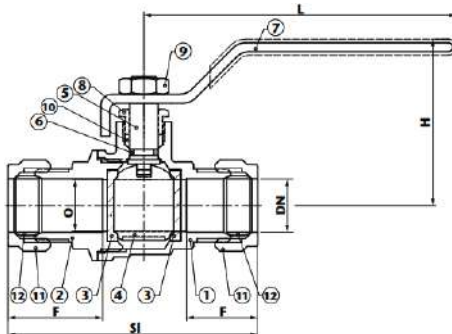
### Features

- Compression ends (BS EN 1254-2 (1998))
- Anti-blow-out stem
- Full bore



### Technical data

Max pressure: 25 Bar  
Working temp: -10°C to 110°C



DN	15	22	28	35	42	54
O	14.5	19.0	24.5	31.5	39.5	49.5
F	18.8	20.3	22.0	24.0	28.0	32.0
SI	70.5	82	91.5	109	123	144
H	48	52	65	78	86	96
L	88	100	125	140	140	165
Kv	15.6	28	46	92	158	212
Kgs	0.28	0.36	0.57	0.93	1.34	2.67

N.	Part Name	Materials
1	Body	DZR Brass CW602N
2	Cap	DZR Brass CW602N
3	Seat	PTFE
4	Ball	DZR Brass CW602N Chrome Plated
5	Stem	DZR Brass CW602N
6	O-Ring	NBR
7	Handle	Steel A3
8	Lock Nut	Brass CW617N
9	Nut	Steel A3
10	Stem Packing	PTFE
11	Nut	Brass CW617N
12	Olive	Brass CW617N

