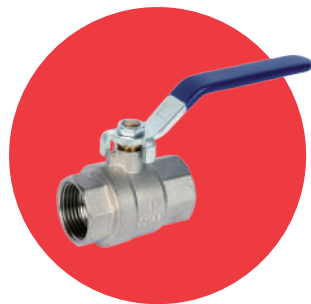


ART 54

PN32 Brass Ball Valve



Features

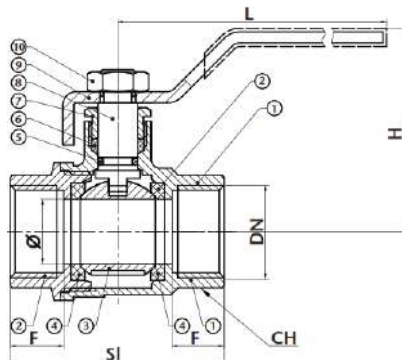
- Screwed BSP Parallel (ISO 228/1)
- Anti-blow-out stem
- PTFE seat
- Full bore



Technical data

Max pressure: 1/4" - 1" 32 Bar
 1 1/4" - 2" 25 Bar
 2 1/2" - 4" 16 Bar

Working temp: -5°C to +110°C



DN	1/4"	3/8"	1/2"	3/4"	1"	1 1/4"	1 1/2"	2"	2 1/2"	3"	4"
O	10.5	10.5	15	20	25	32	40	50	62	74	95
F	9.5	10.5	12.5	13	15	17	18.5	20.5	24.5	26.5	30
SI	42	43.5	49	57.5	69.5	80.5	91.5	110	132	150	181
H	38	38	47	51	64	75	82	93	122	132	145
L	83	83	88	100	125	140	140	165	225	225	280
CH	17.5	20.5	25	30.5	37.5	47	54	66	84	96	123
Kv	5.9	9.4	19.8	30.1	62.3	124.7	155.8	249.3	535.0	850.0	1360.0
Kgs	0.10	0.10	0.18	0.28	0.5	0.71	1.06	1.55	3.00	4.00	7.05

N.	Part Name	Materials
1	Body	Brass HPb59
2	Cap	Brass HPb59
3	Ball	Brass HPb59
4	Seat	PTFE
5	O-Ring	NBR
6	Gland Nut	Brass HPb59
7	Packing	PTFE
8	Stem	Brass HPb59
9	Handle	Steel / PVC Coated Q235
10	Nut	Steel Q235

