

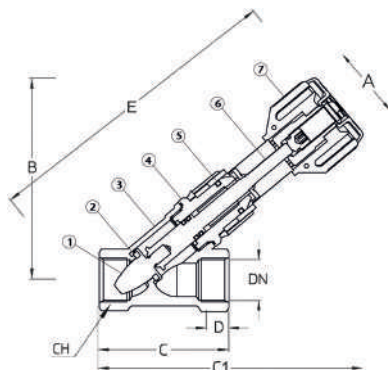
# ART 26

## DZR Double Regulating Valve (DRV)



### Features

- BSP Parallel (ISO 7/1)
- Position indicator
- Non rising stem
- EPDM cone seating gives tight shut off
- 1/2" available in standard and low flow versions
- Available with press ends - See ART 26 PRS datasheet for more details



### Technical data

Max pressure: 20 Bar

Working temp: -10°C to +120°C

DN	1/2"L	1/2"	3/4"	1"	1 1/4"	1 1/2"	2"
A	51	51	51	51	51	57	57
B	104	104	121	133	141	181	190
C	68	68	77	91	108	116	143
C1	138	138	156.5	161	172	213	231.5
D	16.5	16.5	18	21	23	23	26
E	161	161	187	200	219	275	300
CH	28	28	33	40	51	56	71
Kv	1.28	3.91	7.28	11.76	21.60	28.46	50.52
Kgs	0.48	0.48	0.65	0.85	1.28	1.84	2.86

N.	Part Name	Materials
1	Cone	DZR Brass
2	Cone Seat	EPDM Rubber
3	Body	DZR Brass
4	Bonnet	DZR Brass
5	O-Ring	Nitrile Rubber
6	Stem	DZR Brass
7	Handwheel	Nylon 6

