

ART 145

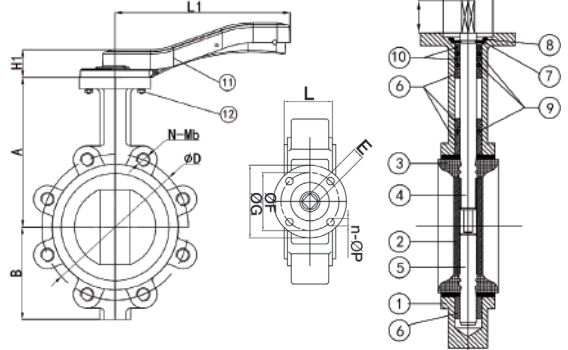
Ductile Iron Butterfly Valve

Lugged and Tapped



Features

- Flange mounting PN16 only
- BS5155 (BS EN 593)
- ISO 5211 direct mount
- Epoxy coat finish
- Lockable handle



Technical data

Max pressure: 16 Bar

Working temp: 0°C to +90°C

DN	50	65	80	100	125	150	200	250	300
A	142	154	161	180	193	205	250	282	326
B	60	70	85	104	120	135	171	205	248
C	56	56	56	56	56	56	71	71	71
D	125	145	160	180	210	240	295	355	410
E	11	11	11	11	14	14	17	22	22
F	70	70	70	70	70	70	102	102	102
G	90	90	90	90	90	90	125	125	125
H	19	19	19	19	19	19	25	30	30
H1	31	31	31	36	36	36	42	42	42
L	41.4	44.0	44.6	51.4	53.8	55.1	59.5	65.0	75.9
L1	176	176	176	225	225	225	300	359	359
N-Mb	4-M16	4-M16	8-M16	8-M16	8-M16	8-M20	12-M20	12-M24	12-M24
N-Äp	4-10	4-10	4-10	4-10	4-10	4-10	4-12	4-12	4-12
Torque	19	21	28	43	60	91	194	295	412
Kv	118	258	510	926	1500	2170	3842	5014	9230
Kgs	2.6	3.3	4.7	6.0	8.0	9.7	17.5	26.1	35.7

8", 10" and 12" valves come with gearbox as standard.

N. Part Name Materials

1	Body	Ductile Iron GGG40
2	Disc	Ductile Iron / Nickel Plated
3	Seat	NBR
4	Upper Shaft	Stainless Steel 410
5	Lower Shaft	Stainless Steel 410
6	Bushing	PTFE
7	Cotter Pin	Carbon Steel
8	Circlip	Carbon Steel
9	O-Ring	EPDM
10	Ring	PTFE
11	Handle	DN50-150 Aluminium DN200-300 CI
12	Bolt	Stainless Steel 304

